

**12F800**

# Illustrated Parts List

## Model Series

# 12F800

TYPE NUMBERS  
0600 through 3511.

For Use On Engines Built Before Date Code – 02033100

### TABLE OF CONTENTS

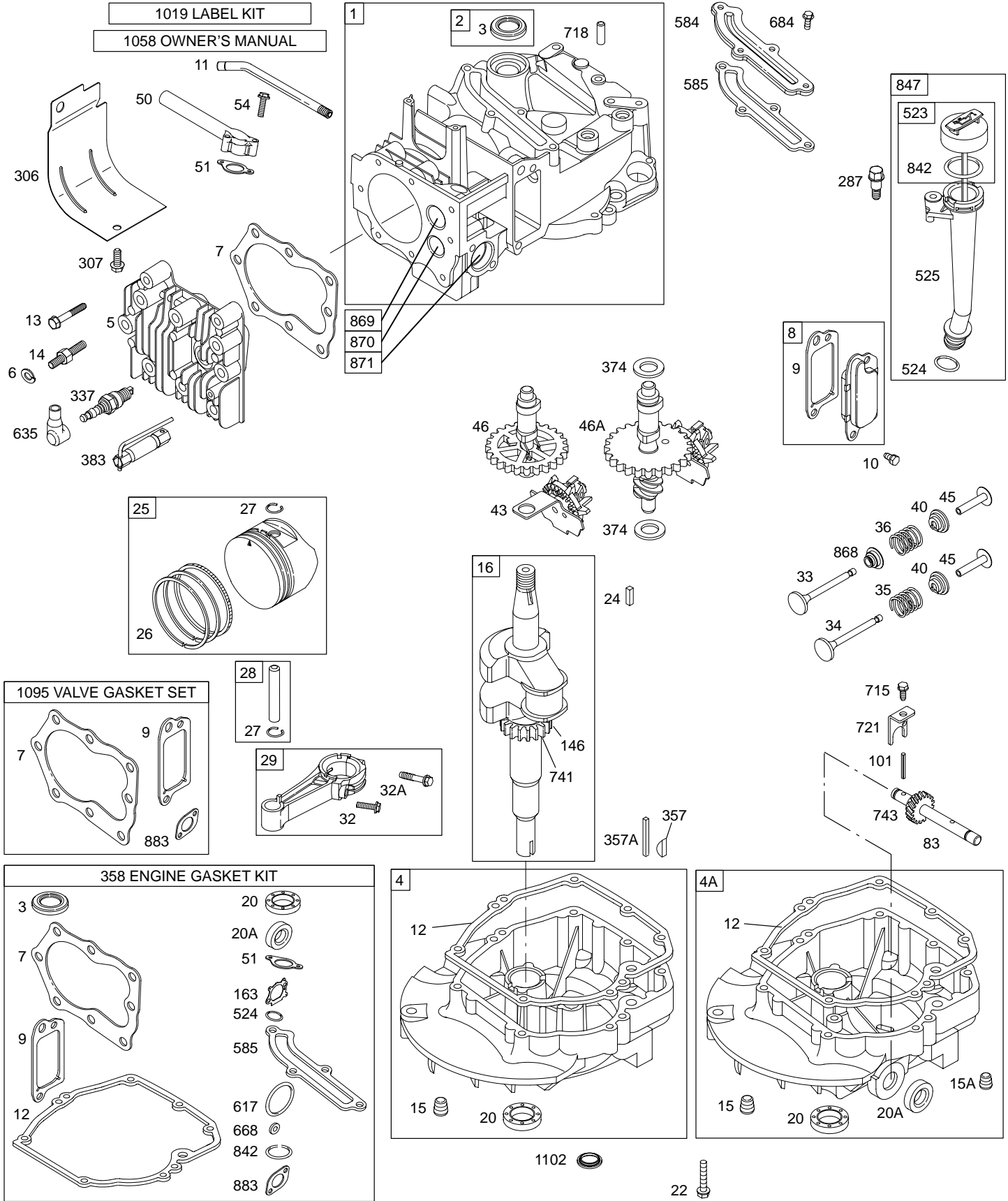
Alternator .....	8
Air Cleaner .....	4
Blower Housing/Shrouds .....	6
Brake .....	8
Cams .....	2
Carburetor .....	3
Controls .....	5
Crankcase Cover/Sump .....	2
Crankshaft .....	2
Cylinder Group .....	2
Electric Starter .....	8
Electrical .....	8
Flywheel .....	7
Fuel Tank .....	5
Governor Spring .....	5
Ignition .....	8
Kits/Gaskets .....	2 & 3
Muffler .....	4
Oil .....	2
Piston Group .....	2
Rewinds .....	7
Valves .....	2



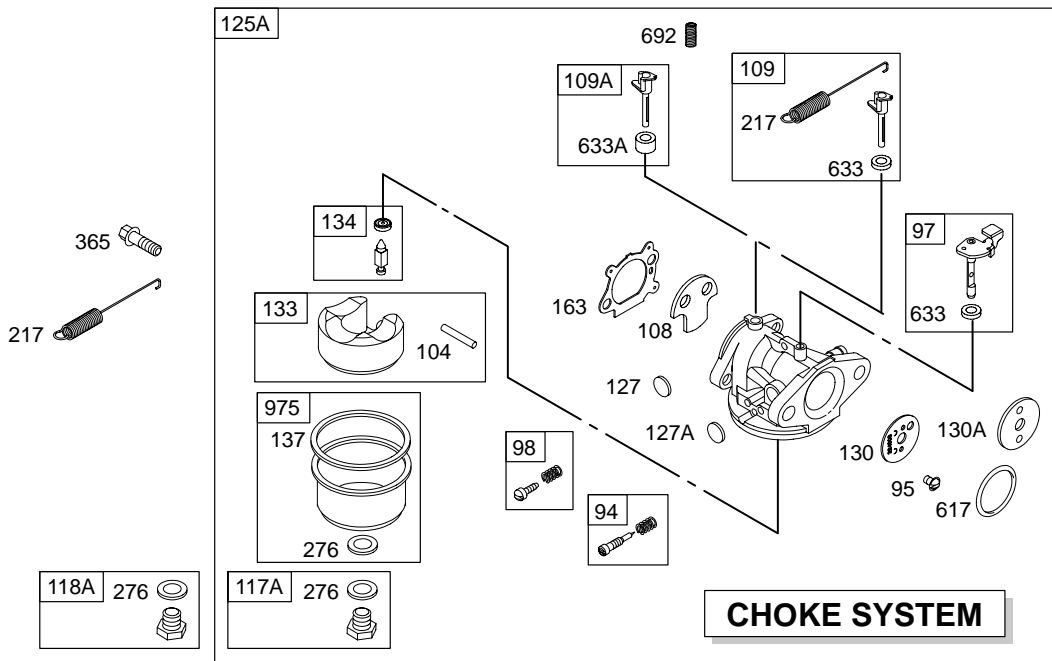
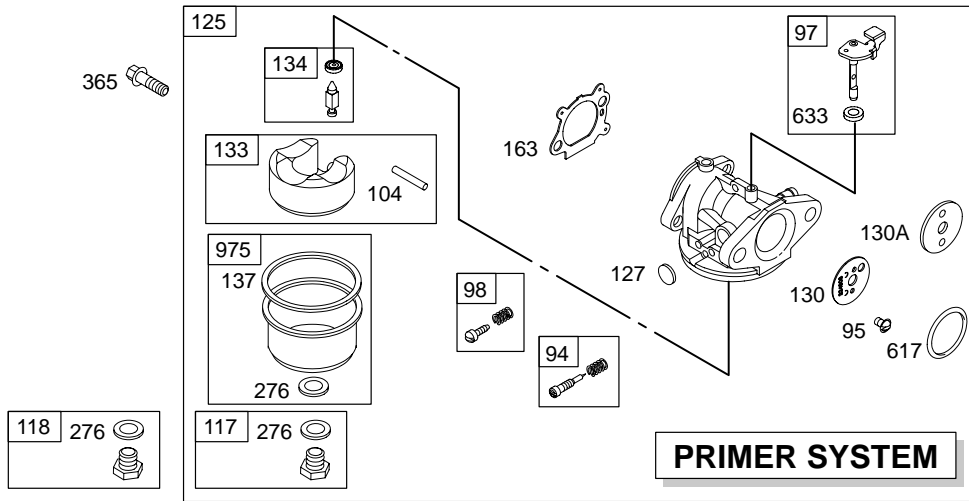
PRINTED IN U.S.A.

COPYRIGHT by BRIGGS & STRATTON CORPORATION  
All rights reserved. No part of this material may be reproduced or transmitted, in any form or by any means, electronic or mechanical, including photocopying, recording or by any information storage and retrieval system, without permission in writing from Briggs & Stratton Corporation.

# 12F800



**Illustrations cover a range of engines. Parts shown without corresponding text may not be used on your specific engine.**  
**0517-2** Assemblies include all parts shown in frames. **5C-3/2002**

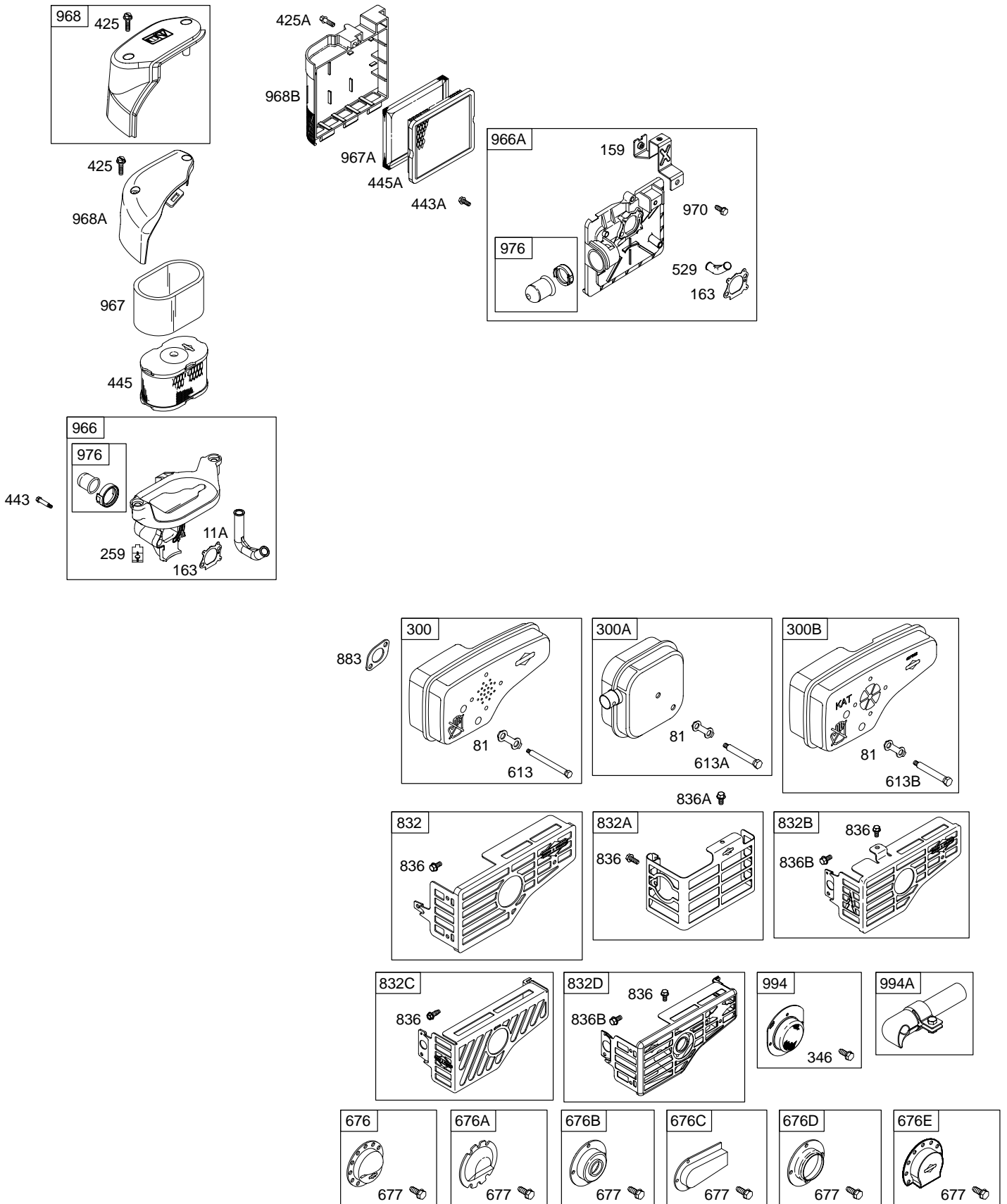


121 CARBURETOR OVERHAUL KIT		
94	134	276
104	137	617
127		633
127A	163	633A

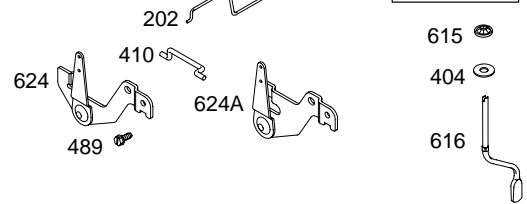
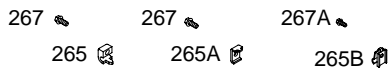
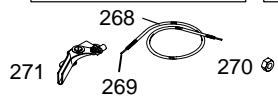
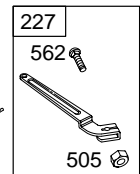
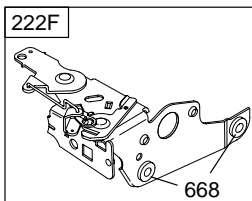
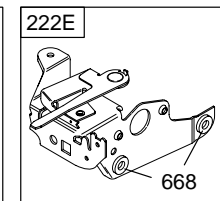
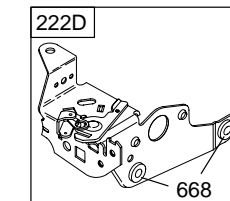
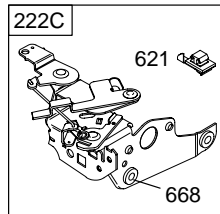
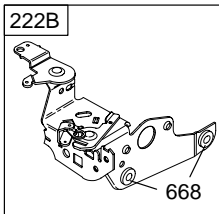
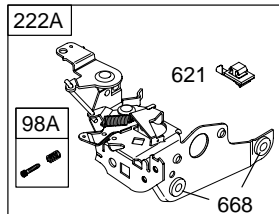
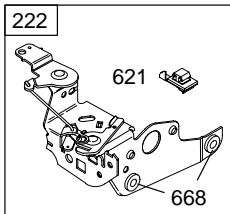
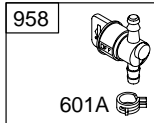
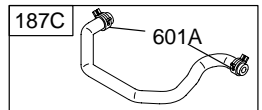
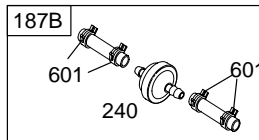
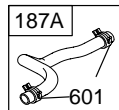
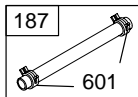
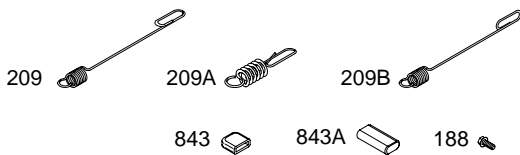
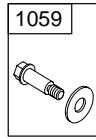
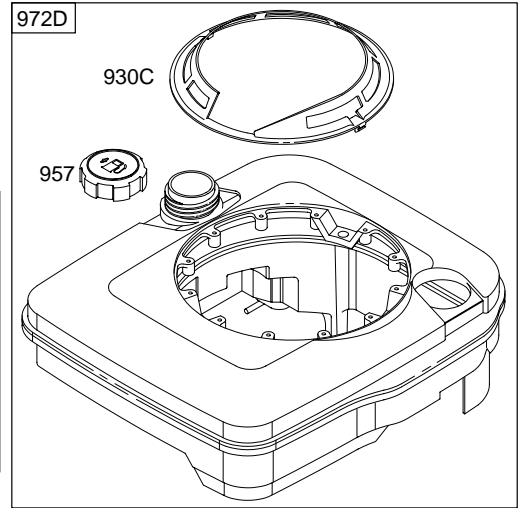
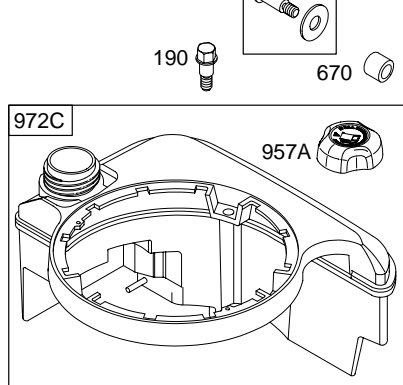
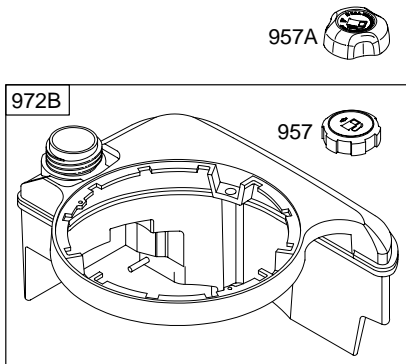
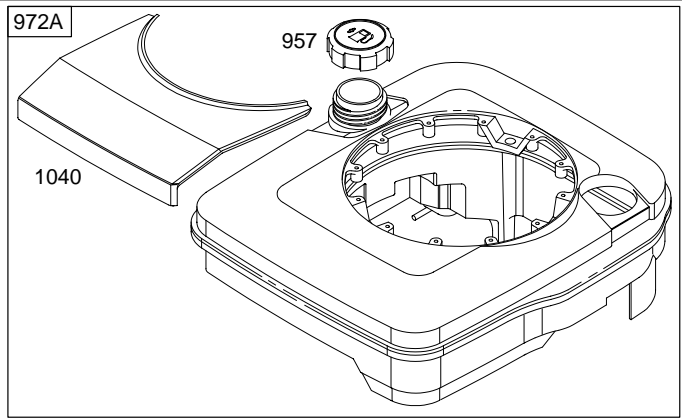
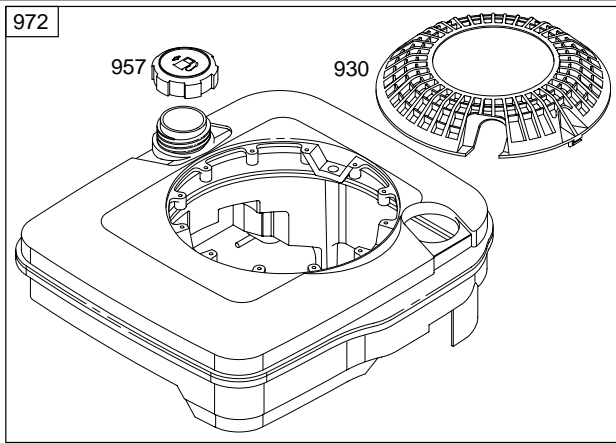
977 CARBURETOR GASKET SET		
137	276	633
163	617	633A

Illustrations cover a range of engines. Parts shown without corresponding text may not be used on your specific engine.  
 0517-3 Assemblies include all parts shown in frames. 5C-3/2002

# 12F800

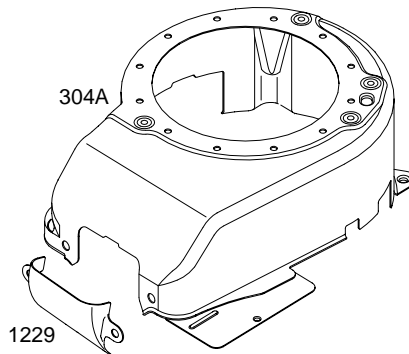
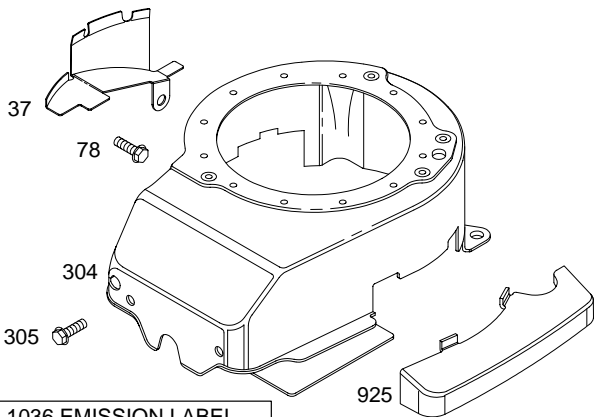
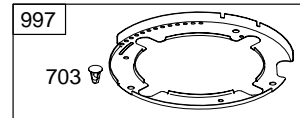
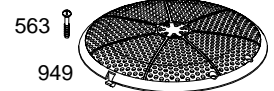
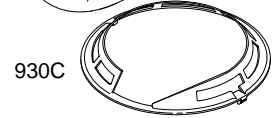
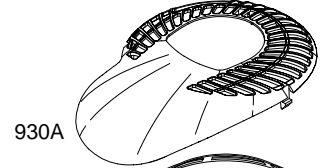
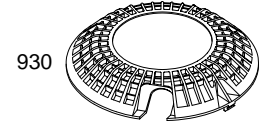
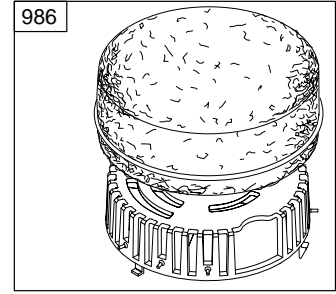
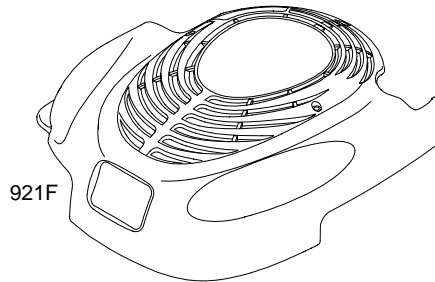
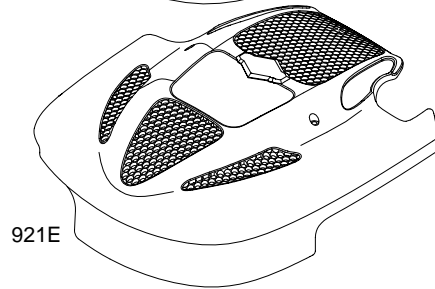
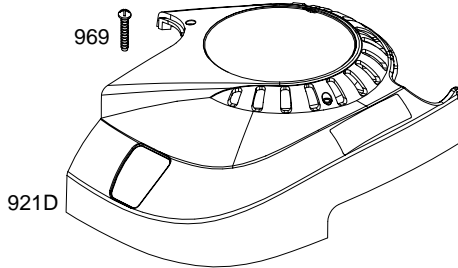
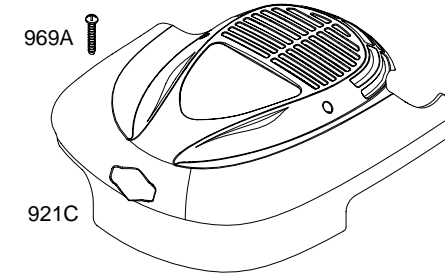
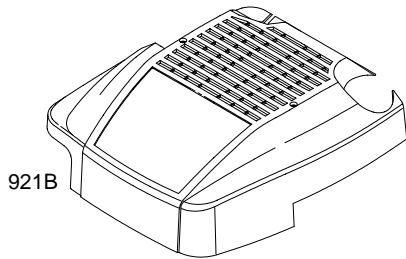
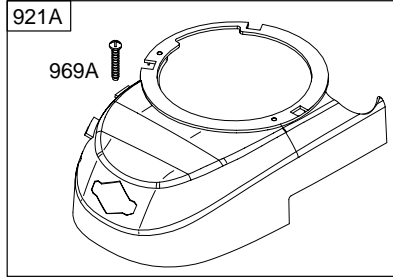
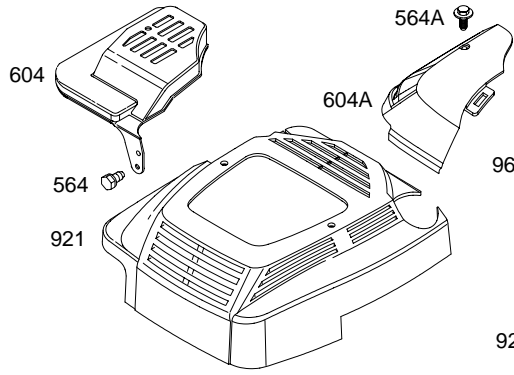


Illustrations cover a range of engines. Parts shown without corresponding text may not be used on your specific engine.  
 0517-4 Assemblies include all parts shown in frames. 5C-3/2002



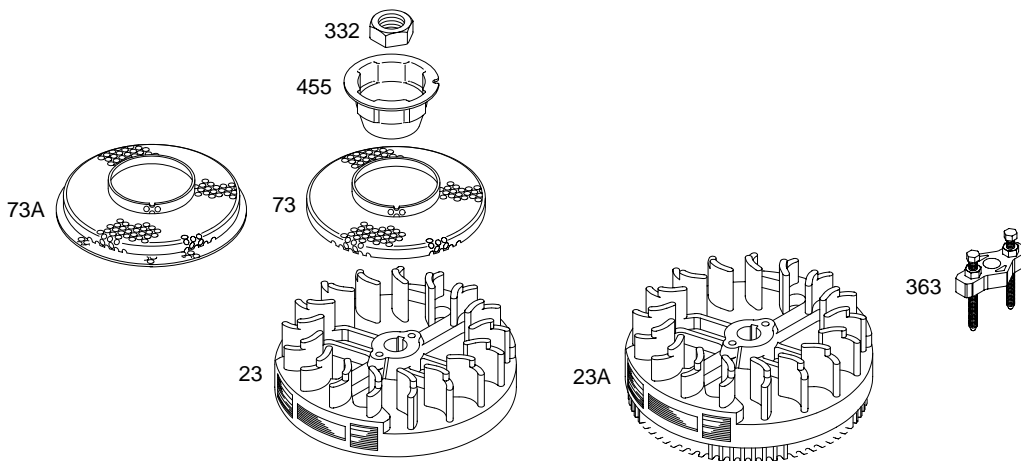
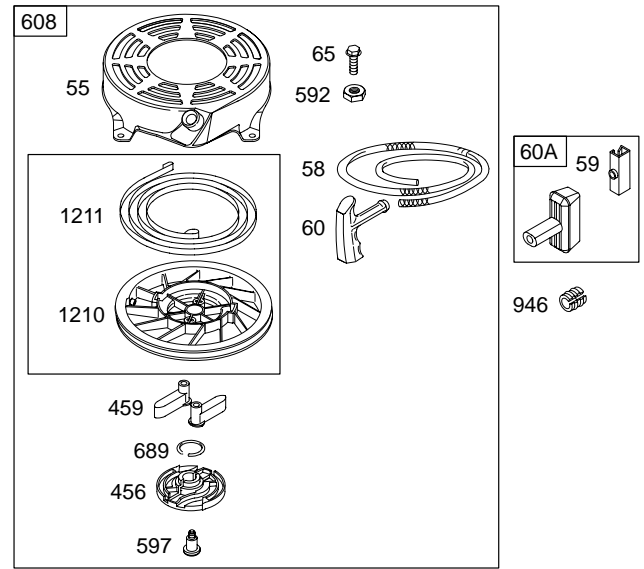
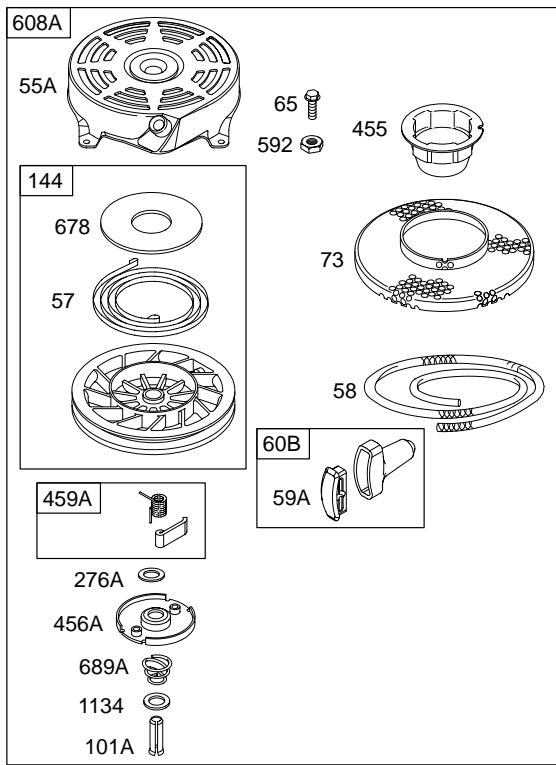
Illustrations cover a range of engines. Parts shown without corresponding text may not be used on your specific engine.  
 0517-5 Assemblies include all parts shown in frames. 5C-3/2002

# 12F800



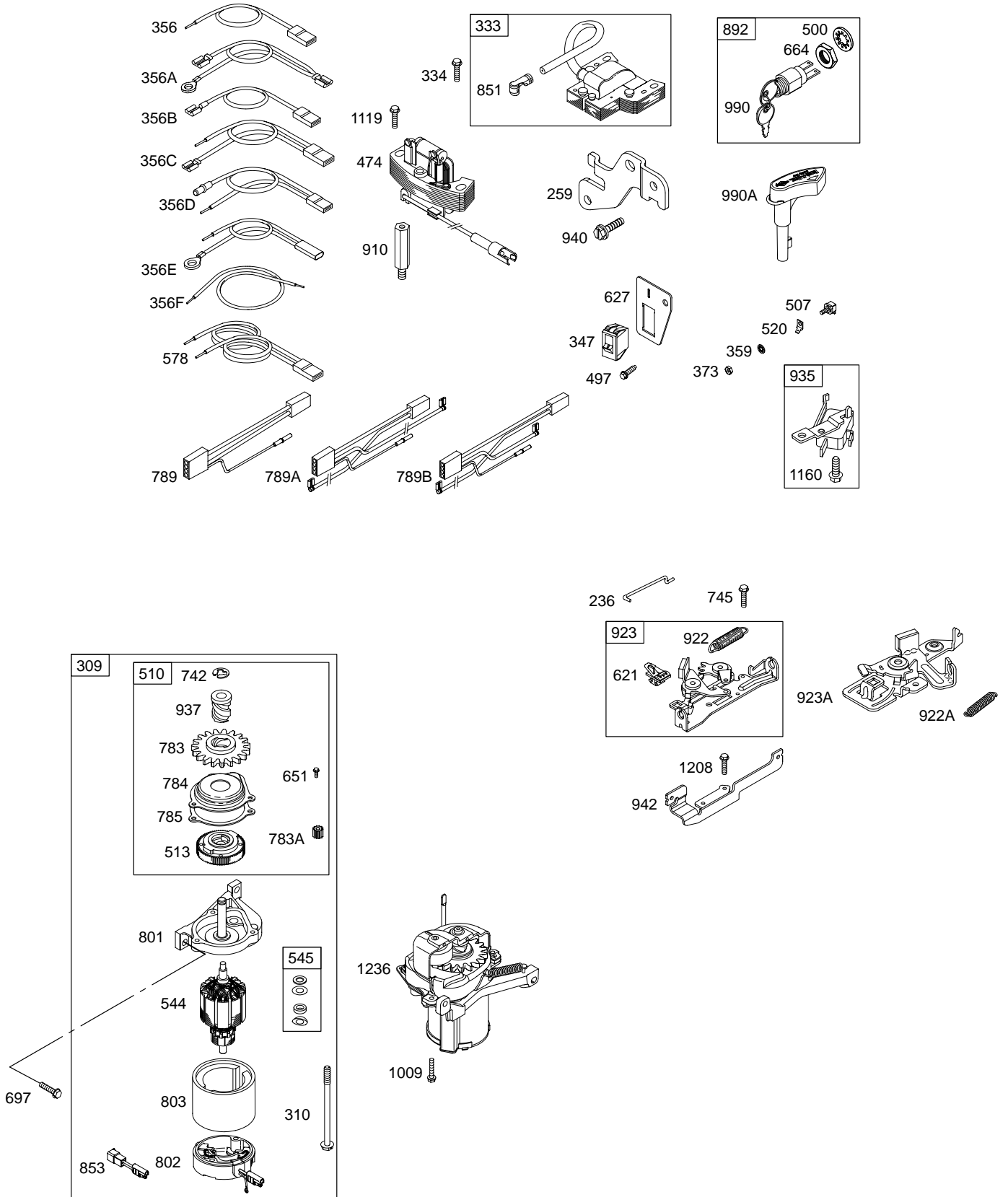
1036 EMISSION LABEL

Illustrations cover a range of engines. Parts shown without corresponding text may not be used on your specific engine.  
 0517-6 Assemblies include all parts shown in frames. 5C-3/2002



0517-7 *Illustrations cover a range of engines. Parts shown without corresponding text may not be used on your specific engine.* Assemblies include all parts shown in frames. 5C-3/2002

# 12F800



**Illustrations cover a range of engines. Parts shown without corresponding text may not be used on your specific engine.**  
**0517-8** Assemblies include all parts shown in frames. **5C-3/2002**

REF. NO.	PART NO.	DESCRIPTION	REF. NO.	PART NO.	DESCRIPTION	REF. NO.	PART NO.	DESCRIPTION
1	493260	Cylinder Assembly	4A	493365	Sump-Engine (Auxiliary PTO)	11	691781	Tube-Breather
2	399269	Kit-Bushing/Seal (Magneto Side)	5	691160	Head-Cylinder	12	★692232	Gasket-Crankcase
3	★299819	Seal-Oil (Magneto Side)	7	★∅692249	Gasket-Cylinder Head	13	690912	Screw (Cylinder Head)
4	493279	Sump-Engine	8	495786	Breather Assembly	15	691680	Plug-Oil Drain (Square Socket)
		<b>Note</b>	9	★∅272481	Gasket-Breather	15A	691093	Plug-Oil Drain (Hex Socket)
		498983 Sump-Engine Used on Type No(s). 2026, 3116.	10	94650	Screw (Breather Assembly)			
		696294 Sump-Engine Used on Type No(s). 2027, 2327, 2329, 2611, 2612, 3186.						

★ Included in Engine Gasket Set-Ref. No.358.

● Included in Carburetor Overhaul Kit-Ref. No. 121.

◆ Included in Carburetor Gasket Set-Ref. No. 977.

∅ Included in Valve Gasket Set-Ref. No 1095.

**Illustrations cover a range of engines. Parts shown without corresponding text may not be used on your specific engine.**

# 12F800

REF. NO.	PART NO.	DESCRIPTION	REF. NO.	PART NO.	DESCRIPTION	REF. NO.	PART NO.	DESCRIPTION
16	691451	Crankshaft (Used After Code Date 97011200). <b>Note</b> <b>493362</b> Crankshaft (Used Before Code Date 97011300). <b>691450</b> Crankshaft (Used After Code Date 97011200). Used on Type No(s). 0600, 0808, 0820, 0833, 0835, 0838, 0840, 0841, 0842, 0852, 0863, 0876, 0884, 0890, 0906, 1108, 1110, 1147, 1149, 1154, 1159, 1160, 1162, 1163, 1173, 1174, 1188, 1191, 1312, 1508, 1523, 1524, 1557, 1558, 1560, 1569, 1573, 1700, 1908, 1976, 1985, 2006, 2011, 2021, 2308, 2310, 2373, 2374, 2608, 2611, 2612, 2623, 2624, 2625, 2925, 3112, 3180, 3185, 3186, 3187. <b>493282</b> Crankshaft (Used Before Code Date 97011300). Used on Type No(s). 0600, 0808, 0820, 0833, 0835, 0838, 0840, 0841, 0842, 0852, 0863, 0876, 0884, 0890, 0906, 1108, 1110, 1147, 1149, 1154, 1159, 1160, 1162, 1163, 1173, 1174, 1188, 1191, 1508, 1523, 1524, 1557, 1558, 1560, 1569, 1573, 1976. <b>691452</b> Crankshaft (Used After Code Date 99042500 and Before Code Date 99062500). Used on Type No(s). 1320.			<b>691452</b> Crankshaft (Used After Code Date 97011200). Used on Type No(s). 0639, 0640, 0653, 0654, 0817, 0823, 0830, 0844, 0845, 0853, 0859, 0862, 0866, 0868, 0870, 0874, 0879, 0882, 0883, 0887, 0894, 0905, 0907, 0908, 0911, 0914, 0915, 0916, 0918, 1145, 1151, 1152, 1157, 1158, 1166, 1167, 1170, 1171, 1175, 1178, 1181, 1182, 1183, 1186, 1190, 1193, 1194, 1198, 1199, 1208, 1209, 1210, 1212, 1310, 1311, 1318, 1360, 1366, 1376, 1377, 1378, 1520, 1521, 1566, 1571, 1574, 1733, 1917, 1936, 1937, 1938, 1941, 1943, 1944, 1966, 1982, 2026, 2027, 2327, 2329, 2355, 2356, 2357, 2366, 2371, 2378, 2399, 2402, 2671, 2674, 3111, 3119, 3120, 3127, 3166, 3168, 3177, 3178. <b>694059</b> Crankshaft (Used Before Code Date 97011300). Used on Type No(s). 0639, 0640, 0817, 0823, 0830, 0844, 0845, 0853, 0859, 0862, 0866, 0868, 0870, 0874, 0879, 0882, 0883, 0887, 0894, 0907, 0908, 1145, 1151, 1152, 1157, 1158, 1166, 1167, 1170, 1171, 1175, 1178, 1181, 1182, 1183, 1186, 1190, 1194, 1310, 1311, 1366, 1376, 1377, 1520, 1521, 1566, 1571, 1574.			<b>691454</b> Crankshaft Used on Type No(s). 0857, 0858, 0860, 0878, 0880, 1164, 1177, 1948, 1978, 1980, 3510, 3511. <b>691455</b> Crankshaft (Used After Code Date 97011200). Used on Type No(s). 0815, 0877, 0888, 1189, 1192, 1581, 1914, 1977, 2001, 2017, 2407, 2411, 2409, 2681, 2682, 2918. <b>691375</b> Crankshaft (Used Before Code Date 97011300). Used on Type No(s). 0815, 0877, 0888, 1189, 1581. <b>692980</b> Crankshaft (Used After Code Date 97011200). Used on Type No(s). 0650, 0667, 1750, 1767. <b>692005</b> Crankshaft (Used Before Code Date 97011300). Used on Type No(s). 0650, 0667, 1750. <b>692981</b> Crankshaft (Used After Code Date 97011200). Used on Type No(s). 1142. <b>692028</b> Crankshaft (Used Before Code Date 97011300). Used on Type No(s). 1142. <b>691482</b> Crankshaft Used on Type No(s). 3116. <b>694079</b> Crankshaft Used on Type No(s). 1769. <b>696009</b> Crankshaft Used on Type No(s). 1770.

★ Included in Engine Gasket Set—Ref. No.358.

● Included in Carburetor Overhaul Kit—Ref. No. 121.

◆ Included in Carburetor Gasket Set—Ref. No. 977.

⊗ Included in Valve Gasket Set—Ref. No 1095.

**Illustrations cover a range of engines. Parts shown without corresponding text may not be used on your specific engine.**  
0517-10 Assemblies include all parts shown in frames. 5C-3/2002

REF. NO.	PART NO.	DESCRIPTION	REF. NO.	PART NO.	DESCRIPTION	REF. NO.	PART NO.	DESCRIPTION
20	★399781	Seal–Oil (PTO Side)	25	499429	Piston Assembly (Standard) (Used After Code Date 97011200).	26	499425	Ring Set (Standard) (Used After Code Date 97011200).
20A	★691952	Seal–Oil (PTO Side) (Auxiliary PTO)			————— <b>Note</b> —————			————— <b>Note</b> —————
22	691092	Screw (Crankcase Cover/Sump)		493262	Piston Assembly (Standard) (Used Before Code Date 97011300).		493261	Ring Set (Standard) (Used Before Code Date 97011300).
23	692315	Flywheel (Rewind Start)		499430	Piston Assembly (.010" Oversize) (Used After Code Date 97011200).		499426	Ring Set (.010" Oversize) (Used After Code Date 97011200).
23A	691987	Flywheel (Electric Start)  ————— <b>Note</b> ————— 691992 Flywheel (Electric Start) Used on Type No(s). 0645, 0817, 0882, 0883, 0905, 1189, 1192, 1570, 1571, 1580, 1581, 1914, 1917, 1982, 2001, 2017, 2026, 2325, 2356, 2403, 2404, 2405, 2407, 2671, 2681, 2682, 3116, 3181, 3182. 696291 Flywheel (Electric Start) Used on Type No(s). 2027, 2327, 2329, 2611, 2612, 3186.		493385	Piston Assembly (.010" Oversize) (Used Before Code Date 97011300).		493388	Ring Set (.010" Oversize) (Used Before Code Date 97011300).
				499431	Piston Assembly (.020" Oversize) (Used After Code Date 97011200).		499427	Ring Set (.020" Oversize) (Used After Code Date 97011200).
				493386	Piston Assembly (.020" Oversize) (Used Before Code Date 97011300).		493389	Ring Set (.020" Oversize) (Used Before Code Date 97011300).
				499432	Piston Assembly (.030" Oversize) (Used After Code Date 97011200).		499428	Ring Set (.030" Oversize) (Used After Code Date 97011200).
				493387	Piston Assembly (.030" Oversize) (Used Before Code Date 97011300).		493390	Ring Set (.030" Oversize) (Used Before Code Date 97011300).

★ Included in Engine Gasket Set–Ref. No.358.

● Included in Carburetor Overhaul Kit–Ref. No. 121.

◆ Included in Carburetor Gasket Set–Ref. No. 977.

⊘ Included in Valve Gasket Set–Ref. No 1095.

**Illustrations cover a range of engines. Parts shown without corresponding text may not be used on your specific engine.**

# 12F800

REF. NO.	PART NO.	DESCRIPTION	REF. NO.	PART NO.	DESCRIPTION	REF. NO.	PART NO.	DESCRIPTION
27	691866	Lock-Piston Pin (Used After Code Date 97011200). ———— <b>Note</b> ———— 691588 Lock-Piston Pin (Used Before Code Date 67011300).	35	691270	Spring-Valve (Intake)	51	★272199	Gasket-Intake
28	499423	Pin-Piston (Standard) (Used After Code Date 97011200). ———— <b>Note</b> ———— 298909 Pin-Piston (Standard) (Used Before Code Date 97011300). 298908 Pin-Piston (.005" Oversize) (Used Before Code Date 97011300).	36	691270	Spring-Valve (Exhaust)	54	691650	Screw (Intake Manifold)
29	499424	Rod-Connecting (Standard) (Used After Code Date 97011200). ———— <b>Note</b> ———— 490566 Rod-Connecting (Used Before Code Date 97011300). 490743 Rod-Connecting (.020" Undersize) (Used Before Code Date 97011300).	37	694086	Guard-Flywheel	55	691421	Housing-Rewind Starter
32	691664	Screw (Connecting Rod)	40	692194	Retainer-Valve	55A	492831	Housing-Rewind Starter
32A	695759	Screw (Connecting Rod) (Used After Code Date 00042200).	43	691997	Slinger-Governor/Oil ———— <b>Note</b> ———— 691486 Slinger-Governor/Oil Used on Type No(s). 3116.	57	491889	Spring-Rewind Starter
33	262651	Valve-Exhaust	45	690548	Tappet-Valve	58	280399	Rope-Starter (Cut To Required Length)
34	262652	Valve-Intake	46	691449	Camshaft (Used After Code Date 96060200). ———— <b>Note</b> ———— 492830 Camshaft (Used Before Code Date 96060300).	59	396892	Insert-Grip
			46A	691459	Camshaft (Counterclockwise) (Used After Code Date 96060200). ———— <b>Note</b> ———— 493738 Camshaft (Counterclockwise) (Used Before Code Date 96060300).	60	281434	Grip-Starter Rope (One Piece)
					691460 Camshaft (Clockwise) (Used After Code Date 96060200). Used on Type No(s). 0860, 2950.	60A	393152	Grip-Starter Rope (Two Piece)
					493740 Camshaft (Clockwise) (Used Before Code Date 96060300). Used on Type No(s). 0860, 2950.	65	690837	Screw (Rewind Starter)
			50	497465	Manifold-Intake	73	691222	Screen-Rotating
						73A	224527	Screen-Rotating
						78	691108	Screw (Flywheel Guard)
						81	691740	Lock-Muffler Screw
						83	691778	Shaft-Auxiliary Drive ———— <b>Note</b> ———— 690522 Shaft-Auxiliary Drive Used on Type No(s). 1170, 2950, 2951. 690527 Shaft-Auxiliary Drive Used on Type No(s). 1141, 1172, 1516.
						94	●493765	Kit-Idle Mixture
						95	691636	Screw (Throttle Valve)
						97	493267	Shaft-Throttle
						98	398185	Kit-Idle Speed (Carburetor)
						98A	493280	Kit-Idle Speed (Control Bracket)
						101	691623	Pin-Shaft
						101A	262626	Pin-Shaft

★ Included in Engine Gasket Set-Ref. No.358.

● Included in Carburetor Overhaul Kit-Ref. No. 121.

◆ Included in Carburetor Gasket Set-Ref. No. 977.

⊘ Included in Valve Gasket Set-Ref. No 1095.

**Illustrations cover a range of engines. Parts shown without corresponding text may not be used on your specific engine.**  
0517-12 Assemblies include all parts shown in frames. 5C-3/2002

REF. NO.	PART NO.	DESCRIPTION	REF. NO.	PART NO.	DESCRIPTION	REF. NO.	PART NO.	DESCRIPTION
104	●691242	Pin-Float Hinge	118	497315	Jet-Main (High Altitude) (Used After Code Date 96060200).	125	498170	Carburetor (Used After Code Date 96060200).
108	691182	Valve-Choke						————— <b>Note</b> —————
109	494218	Shaft-Choke						<b>498254</b> Carburetor (Used Before Code Date 96060300).
109A	498593	Shaft-Choke Used on Type No(s). 1910, 1914, 2001, 2017, 2026, 2403, 2404, 2405, 2407, 2681, 2682, 3116.						<b>125A</b> <b>498965</b> Carburetor (Used After Code Date 96060200).
117	494870	Jet-Main (Standard) (Used After Code Date 96060200).						————— <b>Note</b> —————
		————— <b>Note</b> —————						<b>499059</b> Carburetor (Used After Code Date 96060200).
		<b>497466</b> Jet-Main (Standard) (Used After Code Date 95102900 and Before Code Date 96060300).	118A	498981	Jet-Main (High Altitude) (Used After Code Date 96060200).			Used on Type No(s). 1910, 1914, 2001, 2017, 2026, 2403, 2404, 2405, 2407, 2681, 2682, 3116.
		<b>497315</b> Jet-Main (Standard) (Used Before Code Date 95103000).						<b>494217</b> Carburetor (Used Before Code Date 96060300).
117A	498977	Jet-Main (Standard) (Used After Code Date 96060200).						
		————— <b>Note</b> —————						
		<b>493637</b> Jet-Main (Standard) (Used Before Code Date 96060300).						<b>127</b> ●694468 Plug-Welch
		<b>498978</b> Jet-Main (Standard) Used on Type No(s). 1910, 1914, 2001, 2017, 2026, 2403, 2404, 2405, 2407, 2681, 2682, 3116.	121	498260	Kit-Carburetor Overhaul	130	691203	Valve-Throttle Used on Type No(s). 1910, 1914, 2001, 2017, 2026, 2403, 2404, 2405, 2407, 2681, 2682, 3116.
								<b>130A</b> <b>691181</b> Valve-Throttle
								<b>133</b> <b>398187</b> Float-Carburetor
								<b>134</b> ●398188 Kit-Needle/Seat
								<b>137</b> ●◆693981 Gasket-Float Bowl
								<b>144</b> <b>493824</b> Pulley/Spring Assembly
								<b>146</b> <b>690979</b> Key-Timing
								<b>159</b> <b>691753</b> Bracket-Air Cleaner Primer
								<b>163</b> ★◆272653 Gasket-Air Cleaner

★ Included in Engine Gasket Set-Ref. No.358.

● Included in Carburetor Overhaul Kit-Ref. No. 121.

◆ Included in Carburetor Gasket Set-Ref. No. 977.

⊘ Included in Valve Gasket Set-Ref. No 1095.

**Illustrations cover a range of engines. Parts shown without corresponding text may not be used on your specific engine.**

# 12F800

REF. NO.	PART NO.	DESCRIPTION	REF. NO.	PART NO.	DESCRIPTION	REF. NO.	PART NO.	DESCRIPTION
187	691050	Line–Fuel (Cut to Required Length) <b>Note</b> _____ 296004 Line–Fuel (Cut to Required Length) Used on Type No(s). 0853.		690319	Spring–Governor Used on Type No(s). 0600, 0610, 0625, 0630, 0632, 0639, 0640, 0808, 0817, 0821, 0823, 0826, 0829, 0836, 0839, 0853, 0883, 0899, 0909, 1108, 1119, 1128, 1141, 1145, 1148, 1152, 1153, 1156, 1172, 1199, 1313, 1315, 1508, 1516, 1521, 1574, 1700, 1725, 1732, 1908, 1915, 1917, 1943, 1999, 2009, 2022, 2308, 2319, 2353, 2409, 2608, 2674, 2684, 3113, 3115, 3187.	209A	691835	Spring–Governor <b>Note</b> _____ 690568 Spring–Governor Used on Type No(s). 1192. 691275 Spring–Governor Used on Type No(s). 0833, 0835, 1110, 1173, 1174, 1581. 691833 Spring–Governor Used on Type No(s). 0837, 0841, 0869, 1176. 691834 Spring–Governor Used on Type No(s). 0822, 1188. 690569 Spring–Governor Used on Type No(s). 0637, 0638, 0645, 0818, 0819, 0918, 1159, 1210, 1212, 1941, 1944, 2329, 2357, 2377, 2378, 3168. 691276 Spring–Governor Used on Type No(s). 0892, 0917. 262663 Spring–Governor Used on Type No(s). 0642, 0644, 0911.
187A	691371	Line–Fuel (Molded)						
187B	692042	Line–Fuel (Includes Filter)						
187C	696292	Line–Fuel (Molded)						
188	690877	Screw (Control Bracket)						
190	690940	Screw (Fuel Tank)						
202	691829	Link–Mechanical Governor						
209	691292	Spring–Governor <b>Note</b> _____ 691290 Spring–Governor Used on Type No(s). 1910, 1914, 2026. 691291 Spring–Governor Used on Type No(s). 0848, 0878, 0880, 0890, 1189, 1733, 1948, 1978, 1980. 691851 Spring–Governor Used on Type No(s). 0820, 0838, 0842, 0843, 0847, 0875, 0876, 0906, 0910, 0919, 1147, 1160, 1175, 1187, 1191, 1312, 1317, 1379, 1520, 1559, 1560, 1562, 1568, 1573, 1911, 1912, 1918, 1940, 1975, 1976, 2001, 2006, 2010, 2011, 2013, 2021, 2310, 2373, 2374, 2403, 2404, 2405, 3112, 3117, 3118, 3120, 3179, 3180, 3183, 3184, 3185, 3186.						

★ Included in Engine Gasket Set–Ref. No.358.

● Included in Carburetor Overhaul Kit–Ref. No. 121.

◆ Included in Carburetor Gasket Set–Ref. No. 977.

⊗ Included in Valve Gasket Set–Ref. No 1095.

**Illustrations cover a range of engines. Parts shown without corresponding text may not be used on your specific engine.**  
0517–14 Assemblies include all parts shown in frames. 5C–3/2002

REF. NO.	PART NO.	DESCRIPTION	REF. NO.	PART NO.	DESCRIPTION	REF. NO.	PART NO.	DESCRIPTION
217	690354	Spring—Choke Return	268	691025	Casing—Control Wire (72" Long (Cut to Required Length)	304	493293	Housing—Blower
222	692031	Bracket—Control (Remote/Manual Friction)(Primer)						<b>Note</b>
222A	692021	Bracket—Control (Remote Choke A Matic, Non Compliance)			<b>Note</b>			<b>493294</b> Housing—Blower
222C	692150	Bracket—Control (Remote/Manual Friction) (Variable Speed and 5 Position Manual Choke)	269	691026	Wire—Control (78" Long) (Cut to Required Length)			Used on Type No(s). 0645, 0653, 0817, 0837, 0841, 0842, 0843, 0847, 0859, 0862, 0869, 0875, 0879, 0882, 0883, 0905, 0906, 0908, 0910, 0917, 0919, 1160, 1161, 1162, 1167, 1175, 1176, 1177, 1178, 1181, 1182, 1186, 1187, 1189, 1191, 1192, 1198, 1199, 1312, 1314, 1360, 1379, 1524, 1558, 1559, 1560, 1562, 1568, 1570, 1571, 1573, 1580, 1581, 1733, 1910, 1914, 1917, 1918, 1940, 1943, 1975, 1982, 2001, 2006, 2010, 2013, 2017, 2023, 2026, 2325, 2356, 2403, 2404, 2405, 2407, 2624, 2625, 2671, 2681, 2682, 3110, 3112, 3116, 3117, 3120, 3179, 3180, 3181, 3182, 3184.
222D	692467	Bracket—Control (Remote/Manual Friction) (Variable Speed and 5 Position Manual Choke, Without Stopswitch)			<b>Note</b>			<b>695892</b> Housing—Blower
222E	692982	Bracket—Control (Fixed Speed and 5 Position Manual Choke)	270	691027	Nut (Control Wire Casing)			Used on Type No(s). 2411.
227	690783	Lever—Governor Control	271	691028	Lever—Control			<b>696298</b> Housing—Blower
236	262461	Link—Lockout	276	●271716	Washer—Sealing			Used on Type No(s). 2027, 2327, 2329, 2611, 2612, 3186.
240	298090	Filter—Fuel	276A	280973	Washer—Sealing (Pawl Friction Plate)			
259	691223	Bracket—Casing Clamp	287	690940	Screw (Dipstick Tube)			
265	690798	Clamp—Casing	300	496106	Muffler (Tuned)			
265A	691024	Clamp—Casing	300A	494343	Muffler (Square Lo Tone)			
267	691044	Screw (Casing Clamp)	300B	497681	Muffler (Catalyst)			

★ Included in Engine Gasket Set—Ref. No.358.

● Included in Carburetor Overhaul Kit—Ref. No. 121.

◆ Included in Carburetor Gasket Set—Ref. No. 977.

∅ Included in Valve Gasket Set—Ref. No 1095.

**Illustrations cover a range of engines. Parts shown without corresponding text may not be used on your specific engine.**

# 12F800

REF. NO.	PART NO.	DESCRIPTION	REF. NO.	PART NO.	DESCRIPTION	REF. NO.	PART NO.	DESCRIPTION
305	691108	Screw (Blower Housing)	455	695161	Cup-Flywheel	613	691340	Screw (Muffler)
306	690450	Shield-Cylinder	456	692299	Plate-Pawl Friction	613A	691653	Screw (Muffler)
307	690345	Screw (Cylinder Shield)	456A	224321	Plate-Pawl Friction	613B	691114	Screw (Muffler)
309	695550	Motor-Starter (Used After Code Date 00040600). ———— <b>Note</b> ———— <b>691376</b> Motor-Starter (Used Before Code Date 00040700).	459	281505	Pawl-Ratchet	615	690340	Retainer-Governor Shaft
310	692327	Bolt (Starter Motor)	474	691991	Alternator	616	691308	Crank-Governor
332	690662	Nut (Flywheel)	497	690664	Screw (Stopswitch Bracket)	617★◆270344		Seal-O Ring (Intake Manifold)
333	802574	Armature-Magneto	500	691086	Washer (Key Switch)	621	692310	Switch-Stop
334	691061	Screw (Magneto Armature)	505	691251	Nut (Governor Control Lever)	627	692872	Bracket-Stopswitch
337	802592	Plug-Spark	507	691972	Insulator	633	◆691321	Seal-Choke/Throttle Shaft
346	690661	Screw (Spark Arrestor)	510	494147	Drive-Starter	633A	◆693867	Seal-Choke/Throttle Shaft Used on Type No(s). 1910, 1914, 2001, 2017, 2026, 2403, 2404, 2407, 2681, 2682, 3116.
347	691396	Switch-Rocker	513	692358	Clutch-Drive	635	66538	Boot-Spark Plug
356	692390	Wire-Stop	520	691084	Terminal-Ground	651	93490	Screw (Starter Gear Cover)
356A	690650	Wire-Stop	523	495264	Dipstick	664	691087	Nut (Key Switch)
356B	693010	Wire-Stop	524	★692296	Seal-Dipstick Tube	668	★493823	Spacer (Includes 2)
356C	690808	Wire-Stop	525	495265	Tube-Dipstick	670	692294	Spacer-Fuel Tank
356D	496381	Wire-Stop	529	691923	Grommet	676	396548	Deflector-Muffler (Louvered)
358	497316	Gasket Set-Engine	544	690786	Armature-Starter	676A	393756	Deflector-Muffler (Side Out) (Shallow)
359	691077	Washer (Ground Terminal)	545	492919	Washer Set (Starter Motor)	676B	397931	Deflector-Muffler (Direct Out)
363	19069	Pulley-Flywheel	562	92613	Bolt (Governor Control Lever)	676C	493871	Deflector-Muffler (Side Out) (Extended) (Horseshoe)
365	692524	Screw (Carburetor)	564	690664	Screw (Control Cover)	676D	497682	Deflector-Muffler (For TUV)
373	691612	Nut (Ground Terminal)	564A	691142	Screw (Control Cover)	677	690661	Screw (Muffler Deflector)
374	691074	Washer (Camshaft)	578	398153	Wire Assembly	678	224278	Spacer-Rewind
383	89838	Wrench-Spark Plug	584	692342	Cover-Breather Passage			
404	690272	Washer (Governor Crank)	585	★691879	Gasket-Breather Passage			
425A	690670	Screw (Air Cleaner Cover)	592	690800	Nut (Rewind Starter)			
443A	692523	Screw (Air Cleaner Primer Base)	597	691696	Screw (Pawl Friction Plate)			
445A	491588	Filter-Air Cleaner Cartridge	601	95162	Clamp-Hose (Green)			
			601A	691038	Clamp-Hose (Black)			
			604	691757	Cover-Control			
			604A	691344	Cover-Control			
			608	497680	Starter-Rewind			
			608A	497598	Starter-Rewind			

★ Included in Engine Gasket Set-Ref. No.358.

● Included in Carburetor Overhaul Kit-Ref. No. 121.

◆ Included in Carburetor Gasket Set-Ref. No. 977.

⊘ Included in Valve Gasket Set-Ref. No 1095.

**Illustrations cover a range of engines. Parts shown without corresponding text may not be used on your specific engine.**

REF. NO.	PART NO.	DESCRIPTION	REF. NO.	PART NO.	DESCRIPTION	REF. NO.	PART NO.	DESCRIPTION
684	690345	Screw (Breather Passage Cover)	789B	494544	Harness—Wiring ———— <b>Note</b> ———— 696547 Harness—Wiring	871	262001	Bushing—Valve Guide (Exhaust) ———— <b>Note</b> ————
689	691855	Spring—Friction			Used on Type No(s). 0644, 0654, 0918, 1209, 1210, 1212, 1936, 1944, 2377, 3127, 3510.			63709 Bushing—Valve Guide (Intake)
689A	262625	Spring—Friction (Rewind Starter)						
692	690572	Spring—Detent				883	★Ø691881	Gasket—Exhaust
697	691127	Screw (Drive Cap)				892	690646	Switch—Key
715	691693	Screw (Shaft Stop)	801	690782	Cap—Drive	910	691094	Stud (Alternator)
721	690449	Stop—Shaft	802	695267	Cap—End (Used After Code Date 00040600).	921	497233	Cover—Blower Housing (Red)
741	691830	Gear—Timing			———— <b>Note</b> ————	921A	695886	Cover—Blower Housing (Black)
742	93941	Retainer—E Ring			695975 Cap—End (Used Before Code Date 00040700).	921B	692931	Cover—Blower Housing (Black) ———— <b>Note</b> ————
743	691772	Gear—Drive (Counterclockwise) ———— <b>Note</b> ———— 690516 Gear—Drive (Clockwise) Used on Type No(s). 0860, 2950.	803	695266	Housing—Starter (Used After Code Date 00040600). ———— <b>Note</b> ————			692932 Cover—Blower Housing (Red)
745	691648	Screw (Brake)			690785 Housing— Starter (Used Before Code Date 00040700).	921E	696262	Cover—Blower Housing (Black)
776	396526	Guide—Rope				922	691831	Spring—Brake ———— <b>Note</b> ————
783	691918	Gear—Pinion (Starter)	832	499034	Guard—Muffler			692135 Spring—Brake Used on Type No(s). 2411.
783A	691269	Gear—Pinion	832A	691424	Guard—Muffler	923	691994	Brake ———— <b>Note</b> ————
784	692341	Cover—Starter Gear	832B	497683	Guard—Muffler			695891 Brake Used on Type No(s). 2411.
785	692352	Gasket—Starter Cover	836	690664	Screw (Muffler Guard)			
789	695551	Harness—Wiring (Used After Code Date 00040600). ———— <b>Note</b> ————	836A	690661	Screw (Muffler Guard)			
		690790 Harness— Wiring (Used Before Code Date 00040700).	836B	691147	Screw (Muffler Guard) Used on Type No(s). 0915, 1194, 1318.	925	690595	Cover—Linkage
		696546 Harness— Wiring Used on Type No(s). 2405.	842	★691031	Seal—O Ring (Dipstick Tube)	930	691919	Guard—Rewind (Round)
			843	691884	Sleeve—Lever (Speed Control)	930A	691345	Guard—Rewind (Tear Drop)
			843A	691895	Sleeve—Lever (Choke)	930C	690598	Guard—Rewind (Trim Ring)
789A	695552	Harness—Wiring (Used After Code Date 00040600). ———— <b>Note</b> ————	847	692017	Dipstick/Tube Assembly	935	499421	Switch—Interlock (Used After Code Date 92100600). ———— <b>Note</b> ————
		691372 Harness— Wiring (Used Before Code Date 00040700).	851	493880	Terminal—Spark Plug			398758 Switch— Interlock (Used Before Code Date 92100700).
			853	695268	Adapter—Wire	937	691325	Spline—Starter
			869	691155	Seat—Valve (Intake)			
			870	690380	Seat—Valve (Exhaust)			

★ Included in Engine Gasket Set—Ref. No.358.

● Included in Carburetor Overhaul Kit—Ref. No. 121.

◆ Included in Carburetor Gasket Set—Ref. No. 977.

Ø Included in Valve Gasket Set—Ref. No 1095.

**Illustrations cover a range of engines. Parts shown without corresponding text may not be used on your specific engine.**

# 12F800

REF. NO.	PART NO.	DESCRIPTION	REF. NO.	PART NO.	DESCRIPTION	REF. NO.	PART NO.	DESCRIPTION
940	691004	Screw (Casing Clamp Bracket)	977	498261	Gasket Set—Carburetor	1058	275177	Owner's Manual
946	691738	Stop—Rope	990	691959	Key Set			<b>Note</b>
957	397974	Cap—Fuel Tank (Plastic)	990A	695951	Key Set (Touch N Mow)			274940 Owner's Manual (Touch N Mow)
958	494768	Valve—Fuel Shut Off (Plastic)	994	398067	Arrestor—Spark	1059	692311	Kit—Screw/Washer
966A	496116	Base—Air Cleaner Primer	994A	692957	Arrestor—Spark	1095	498528	Gasket Set—Valve
967A	493537	Filter—Pre Cleaner	1009	696255	Screw (Starter Motor)	1102	691255	Pilot—Guide
968B	692298	Cover—Air Cleaner	1019	494256	Kit—Label	1119	691648	Screw (Alternator)
969	690700	Screw (Blower Housing Cover)	1036	695111	Label—Emission (Used After Code Date 99093000).	1134	224322	Washer (Pawl Friction Plate)
969A	691138	Screw (Blower Housing Cover)			<b>Note</b>	1160	691627	Screw (Interlock Switch)
970	691669	Screw (Air Cleaner Primer Bracket)			697378 Label— Emission (Used on D1 Trim Engines Only)	1210	498144	Pulley/Spring Assembly (Pulley)
972B	495224	Tank—Fuel (Plastic)			694458 Label— Emission (Used After Code Date 98123100 and Before Code Date 99100100).	1211	498144	Pulley/Spring Assembly (Spring)
		<b>Note</b>			499341 Label— Emission (Used After Code Date 97012000 and Before Code Date 99010100).	1236	695959	Starter—Mechanical (Touch N Mow) (Do Not Service Individual Parts, Only As A Whole)
		695960 Tank—Fuel (Plastic) Used on Type No(s). 2027, 2327, 2329, 2611, 2612, 3186.			499340 Label— Emission (Used Before Code Date 97012100).			
975	493640	Bowl—Float						
976	694395	Primer—Carburetor (Used After Code Date 99051200).						
		<b>Note</b>						
		496115 Primer— Carburetor (Used Before Code Date 99051300).						

★ Included in Engine Gasket Set—Ref. No.358.

● Included in Carburetor Overhaul Kit—Ref. No. 121.

◆ Included in Carburetor Gasket Set—Ref. No. 977.

⊘ Included in Valve Gasket Set—Ref. No 1095.

**Illustrations cover a range of engines. Parts shown without corresponding text may not be used on your specific engine.**

0517-18

Assemblies include all parts shown in frames.

5C-3/2002