

31G700

Illustrated Parts List Model Series 31G700

TYPE NUMBERS
0113 through 0196.

For Use On Engines Built Before Date Code – 02022100

TABLE OF CONTENTS

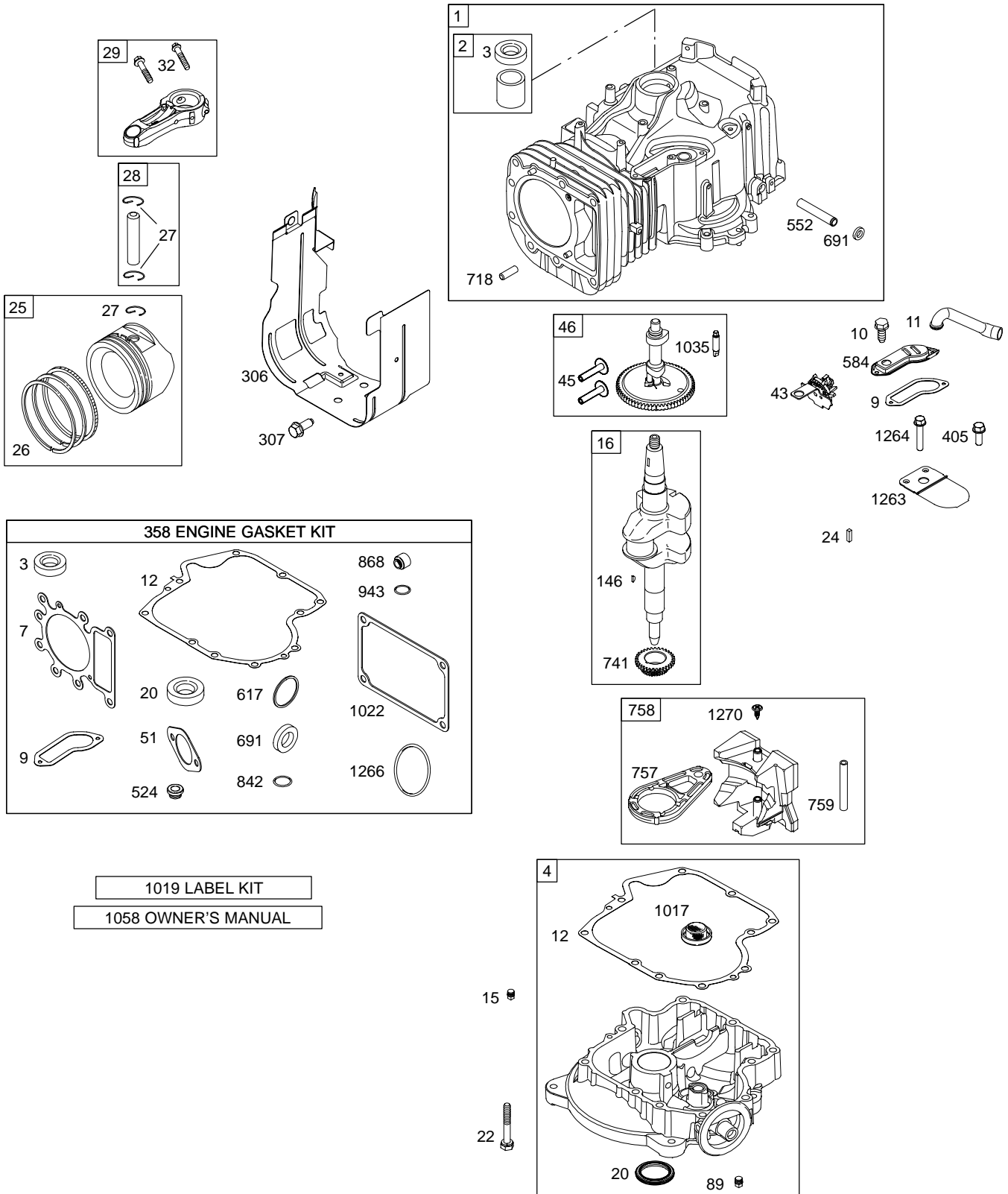
Air Cleaner	5
Alternator	7
Blower Housing/Shrouds	5
Cams	2
Carburetor	4
Controls	6
Crankcase Cover/Sump	2
Crankshaft	2
Cylinder	2
Electric Starter	5
Flywheel	5
Governor Spring	6
Head	3
Ignition	7
Kits/Gaskets–Carburetor	4
Kits/Gaskets–Engine	2
Kits/Gaskets–Valve	3
Muffler	5
Oil	3
Piston Group	2
Valves	3

PRINTED IN U.S.A.

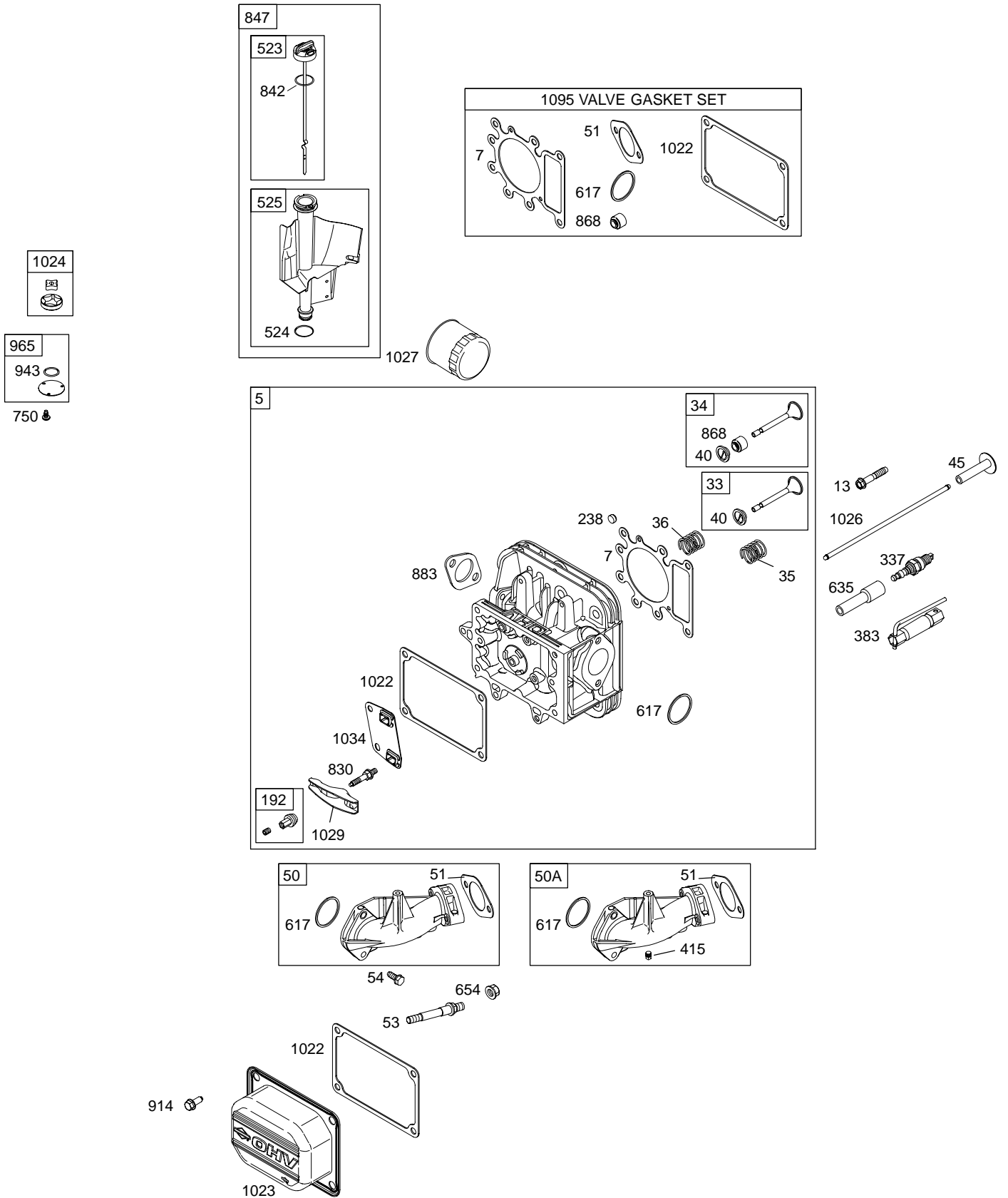


COPYRIGHT by BRIGGS & STRATTON CORPORATION
All rights reserved. No part of this material may be reproduced or transmitted, in any form or by any means, electronic or mechanical, including photocopying, recording or by any information storage and retrieval system, without permission in writing from Briggs & Stratton Corporation.

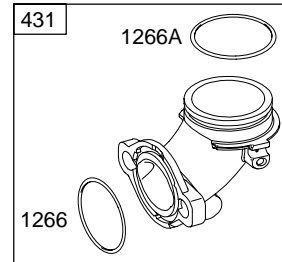
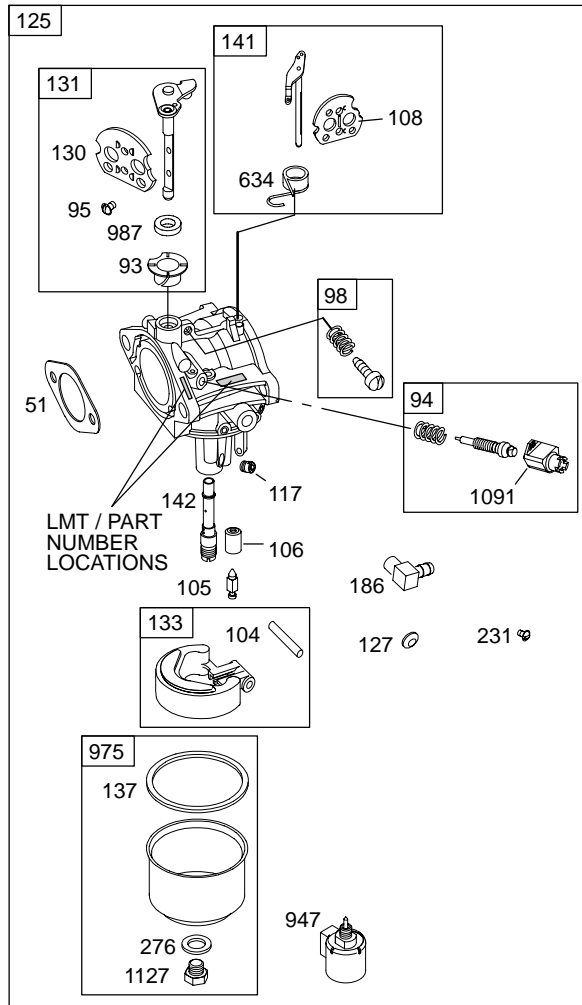
31G700



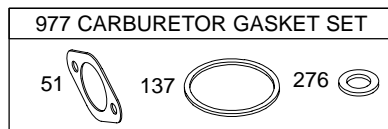
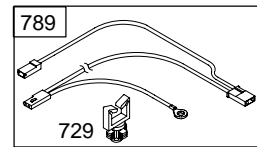
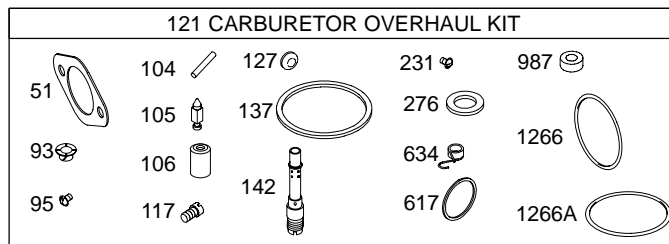
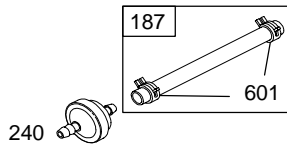
Illustrations cover a range of engines. Parts shown without corresponding text may not be used on your specific engine.
 5164-2 Assemblies include all parts shown in frames. 4C-3/02



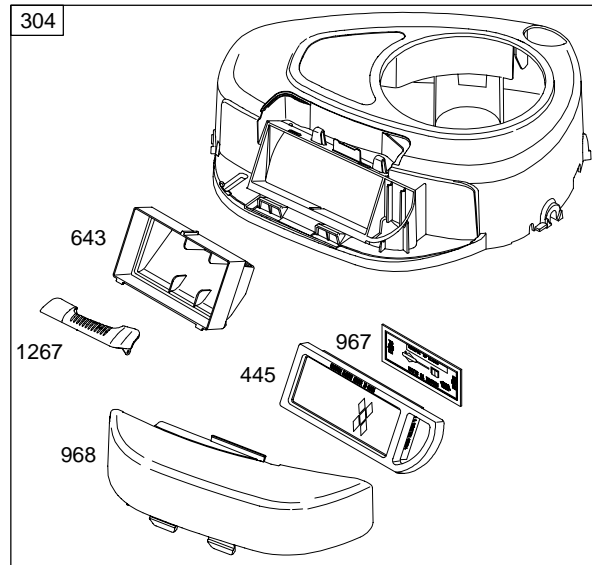
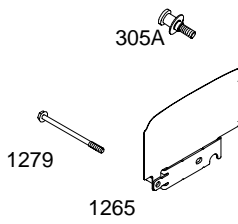
Illustrations cover a range of engines. Parts shown without corresponding text may not be used on your specific engine.
 5164-3 Assemblies include all parts shown in frames. 4C-3/02



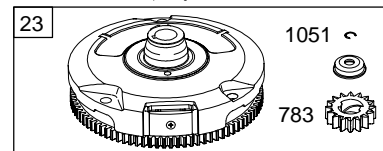
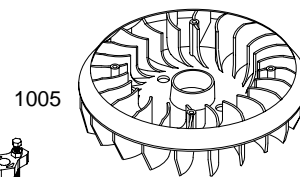
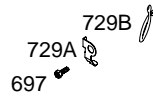
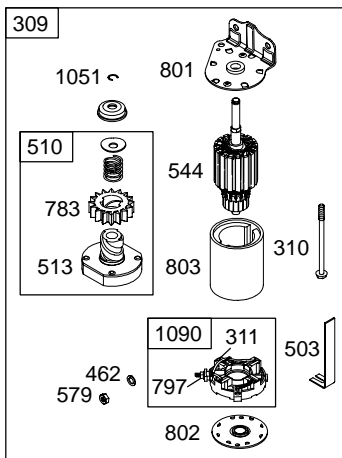
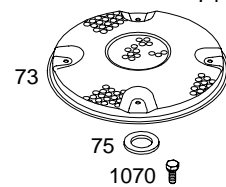
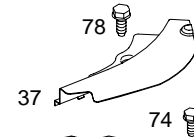
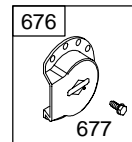
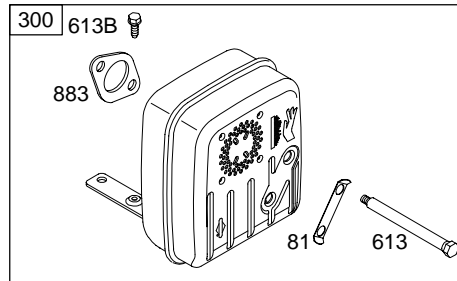
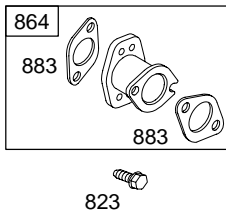
344

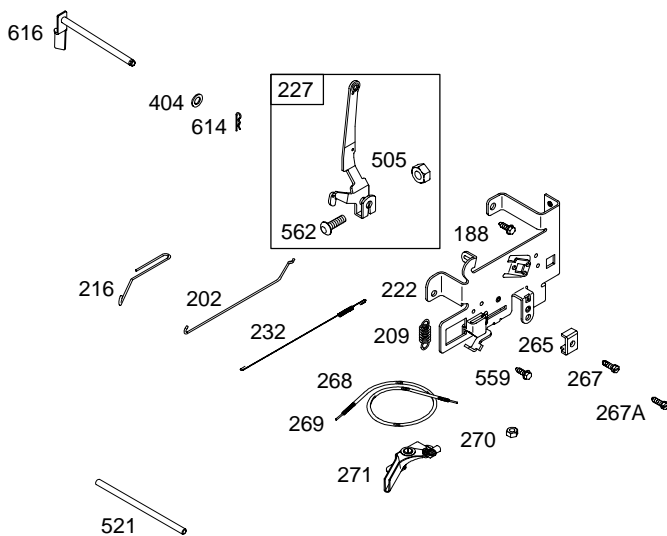
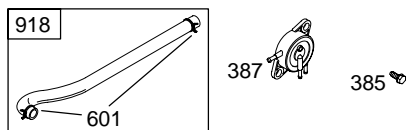


Illustrations cover a range of engines. Parts shown without corresponding text may not be used on your specific engine.
 5164-4 Assemblies include all parts shown in frames.




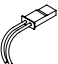


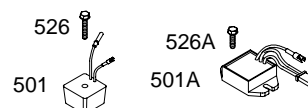
1036 EMISSION LABEL




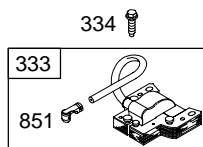
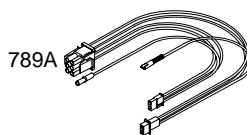


Illustrations cover a range of engines. Parts shown without corresponding text may not be used on your specific engine.

DUAL CIRCUIT	TRI CIRCUIT	10 AMP
474A 877 	474B 877B 	474C 877C 
878 		



NOTE: All Stators Use No. 1119 Mounting Screw. 



Illustrations cover a range of engines. Parts shown without corresponding text may not be used on your specific engine.
5164-7 Assemblies include all parts shown in frames. **4C-3/02**

31G700

REF. NO.	PART NO.	DESCRIPTION	REF. NO.	PART NO.	DESCRIPTION	REF. NO.	PART NO.	DESCRIPTION
1	697174	Cylinder Assembly	26	697164	Ring Set (Standard)	81	691178	Lock-Muffler Screw Used on Type No(s). 0115.
2	399265	Kit-Bushing/Seal (Magneto Side)			Note	89	690283	Plug-Oil
3	★391086	Seal-Oil (Magneto Side)			697165 Ring Set (.010" Oversize)	93	●690602	Bushing-Throttle Shaft
4	697188	Sump-Engine			697171 Ring Set (.020" Oversize)	94	498030	Kit-Idle Mixture
5	690188	Head-Cylinder			697172 Ring Set (.030" Oversize)	95	●691636	Screw (Throttle Valve)
7	△★692410	Gasket-Cylinder Head	27	697100	Lock-Piston Pin	98	495800	Kit-Idle Speed
9	★697109	Gasket-Breather	28	697099	Pin-Piston (Standard)	104	●690525	Pin-Float Hinge
10	697157	Screw (Breather Assembly)	29	697126	Rod-Connecting (Standard)	105	●231855	Valve-Float Needle
11	697113	Tube-Breather			Note	106	●690577	Seat-Inlet (Gravity Feed)
12	★697110	Gasket-Crankcase (.015" Thick) (Standard)			697263 Rod-Connecting (.020" Undersize)			●691780 Seat-Inlet (Pump Feed)
13	690360	Screw (Cylinder Head)	32	692852	Screw (Connecting Rod)	108	692344	Valve-Choke (Choke A Matic)
15	690946	Plug-Oil Drain (Square Head) (3/8" Diameter)	33	495856	Valve-Exhaust	117	●694352	Jet-Main (Standard)
16	697127	Crankshaft	34	495857	Valve-Intake	121	697241	Kit-Carburetor Overhaul (Gravity Feed)
20	★690947	Seal-Oil (PTO Side)	35	691279	Spring-Valve (Intake)			Note
22	692125	Screw (Crankcase Cover/Sump)	36	691279	Spring-Valve (Exhaust)			697154 Kit-Carburetor Overhaul (Pump Feed)
23	693556	Flywheel	37	697108	Guard-Flywheel			Used on Type No(s). 0113, 0115, 0196.
		Note	40	691752	Retainer-Valve	125	697190	Carburetor (LMT 696181)(Gravity Feed)
		693557 Flywheel Used on Type No(s). 0172, 0193.	43	691968	Slinger-Governor/Oil			Note
24	222698	Key-Flywheel	45	690564	Tappet-Valve			697141 Carburetor (LMT 696179) (Pump Feed)
25	697159	Piston Assembly (Standard)	46	693450	Camshaft			Used on Type No(s). 0113, 0115, 0196.
		Note	50	690193	Manifold-Intake	127	695005	Plug-Welch (5/16" Diameter)
		697160 Piston Assembly (.010" Oversize)	50A	695527	Manifold-Intake Used on Type No(s). 0115, 0172.	130	691750	Valve-Throttle
		697162 Piston Assembly (.020" Oversize)	51	△★●692137	Gasket-Intake	131	494379	Kit-Throttle Shaft
		697163 Piston Assembly (.030" Oversize)	53	690227	Stud (Carburetor)	133	494381	Float-Carburetor
			54	691148	Screw (Intake Manifold)	137	●★281165	Gasket-Float Bowl
			73	697133	Screen-Rotating	141	495931	Kit-Choke Shaft (Choke A Matic)
			74	690661	Screw (Rotating Screen)	142	●697140	Nozzle-Carburetor (Standard)
			75	690582	Washer (Flywheel)			
			78	691003	Screw (Flywheel Guard)			

★ Included in Engine Gasket Set-Ref. No.358.

● Included in Carburetor Overhaul Kit-Ref. No. 121.

◆ Included in Carburetor Gasket Set-Ref. No. 977.

△ Included in Valve Gasket Set-Ref. No 1095.

Illustrations cover a range of engines. Parts shown without corresponding text may not be used on your specific engine.

REF. NO.	PART NO.	DESCRIPTION	REF. NO.	PART NO.	DESCRIPTION	REF. NO.	PART NO.	DESCRIPTION
146	691639	Key—Timing	268	691025	Casing—Control Wire (Cut to Required Length)	356	697089	Wire—Stop (1 Wire, 8" Long) (2 Ring Terminals) Used on Type No(s). 0113, 0192, 0196.
186	692317	Connector—Hose	269	691026	Wire—Control (Cut to Required Length)	358	697191	Gasket Set—Engine
187	691050	Line—Fuel (Cut to Required Length)	270	691027	Nut (Control Wire Casing)	363	19203	Puller—Flywheel
		Note	271	690128	Lever—Control	383	89838	Wrench—Spark Plug
		697098 Line—Fuel (Cut to Required Length) Used on Type No(s). 0113, 0115, 0196.	276	692255	Washer—Sealing	385	694476	Screw (Fuel Pump) Used on Type No(s). 0113, 0115,
188	691693	Screw (Control Bracket)	300	697349	Muffler Used on Type No(s). 0115.	387	697090	Pump—Fuel Used on Type No(s). 0113, 0115, 0198.
192	691986	Adjuster—Rocker Arm	304	697660	Housing—Blower (Red)	404	691691	Washer (Governor Crank)
202	691841	Link—Mechanical Governor			Note	405	697104	Screw (Back Plate)
209	692208	Spring—Governor (Green)			697137 Housing— Blower (Black) Used on Type No(s). 0115.	415	690283	Plug (Square Head) Used on Type No(s). 0115, 0172.
		Note	305	697102	Screw (Blower Housing)	431	697122	Elbow—Intake
		691795 Spring— Governor (Yellow) Used on Type No(s). 0115.	305A	697103	Screw (Blower Housing)	445	697634	Filter—Air Cleaner Cartridge
216	691840	Link—Choke	306	697107	Shield—Cylinder	462	691261	Washer (Starter Cable)
222	694042	Bracket—Control	307	690960	Screw (Cylinder Shield)	474A	696459	Alternator (Dual Circuit) Used on Type No(s). 0172, 0193, 0196.
227	691374	Lever—Governor Control (Standard)	309	693551	Motor—Starter	474B	696457	Alternator (Tri Circuit) Used on Type No(s). 0113, 0114, 0115.
231	691636	Screw (Choke Valve)	310	690323	Bolt (Starter Motor)	474C	691064	Alternator (10 To 16 Amp Regulated) Used on Type No(s). 0192.
232	691842	Spring—Governor Link	311	497608	Brush Set			
238	691843	Cap—Valve	333	495859	Armature—Magneto			
240	394358	Filter—Fuel (75 Microns) Used on Type No(s). 0113 0115.	334	691061	Screw (Magneto Armature)			
		Note	337	691043	Plug—Spark			
		298090 Filter—Fuel (150 Micron) Used on Type No(s). 0114, 0192.			Note			
265	691024	Clamp—Casing			491055 Plug—Spark (Standard) Used on Type No(s). 0115, 0172, 0192.			
267	695134	Screw (Casing Clamp)	344	693675	Screw (Cable Clamp) Used on Type No(s). 0115, 0172, 0192, 0196.			
267A	690804	Screw (Casing Clamp) Used on Type No(s). 0115.						

★ Included in Engine Gasket Set—Ref. No.358.

● Included in Carburetor Overhaul Kit—Ref. No. 121.

◆ Included in Carburetor Gasket Set—Ref. No. 977.

△ Included in Valve Gasket Set—Ref. No 1095.

Illustrations cover a range of engines. Parts shown without corresponding text may not be used on your specific engine.

31G700

REF. NO.	PART NO.	DESCRIPTION	REF. NO.	PART NO.	DESCRIPTION	REF. NO.	PART NO.	DESCRIPTION
501	691188	Regulator (5 To 9 Amp Regulated) Used on Type No(s). 0113, 0114, 0115, 0191, 0196.	559	697561	Screw (Remote Choke Stop) Used on Type No(s). 0172, 0191, 0192, 0196.	729	691335	Clip-Wire (Wire Saddle) Used on Type No(s). 0172, 0192.
501A	691185	Regulator (10 To 16 Amp Regulated) Used on Type No(s). 0192.	562	691119	Bolt Governor Control Lever)	729A	691224	Clip-Wire (Aluminum Coated Steel) Used on Type No(s). 0113.
503	691532	Strap-Starter	579	691029	Nut (Starter Cable)	729B	694123	Clip-Wire (Nylon) Used on Type No(s). 0113.
505	691251	Nut, (Governor Control Lever)	584	697112	Cover-Breather Passage	741	697128	Gear-Timing
510	693699	Drive-Starter	601	95162	Clamp-Hose (Zinc Plate) (Spring Wire) Used on Type No(s). 0113, 0114, 0115.	750	691033	Screw (Oil Pump Cover) (1/2" Long)
513	692024	Clutch-Drive	613	691416	Screw (Muffler) Used on Type No(s). 0115.	757	697607	Link-Counterweight
521	690581	Shield-Cable Used on Type No(s). 0172, 0192.	613A	690297	Screw (Muffler) Used on Type No(s). 0115.	758	697134	Counterweight
523	697086	Dipstick	614	691620	Pin-Cotter	759	697392	Pin-Counterweight
524	★691032	Seal-Dipstick Tube	616	692012	Crank-Governor	783	693713	Gear-Pinion
525	697085	Tube-Dipstick Used on Type No(s). 0113, 0115, 0172, 0196.	617	Δ★692138	Seal-O Ring (Intake Manifold)	789	692037	Harness-Wiring (3 Wires, 20", 23.5", and 9" Long In "Z" Configuration)(Push- On Female Blade Terminal, 1-Dual Socket Insulated Snap Connect Terminal, 1-Dual Pin Insulated Snap Connect Terminal, And Ring Terminal) Used on Type No(s). 0172, 01192.
<p>————— Note —————</p> <p>697184 Tube-Dipstick Used on Type No(s). 0114, 0191, 0192, 0193.</p>			634	●690802	Spring/Seal Assembly (Choke A Matic)	789A	695050	Harness-Wiring (6 Pin Customer Conversion)
526	697088	Screw (Regulator) (5 To 9 Amp Regulated) Used on Type No(s). 0113, 0114, 0115, 0191, 0196.	635	691909	Boot-Spark Plug	797	693167	Nut (Brush Retainer)
526A	697348	Screw (Regulator) (10 To 16 Amp Regulated) Used on Type No(s). 0192.	643	697155	Retainer-Air Filter	801	691283	Cap-Drive
544	692034	Armature-Starter	654	690958	Nut (Carburetor)	802	691286	Cap-End
552	697144	Bushing-Governor Crank	676	393761	Deflector-Muffler Used on Type No(s). 0115.	803	693757	Housing-Starter
			677	690661	Screw (Muffler Deflector) Used on Type No(s). 0115.			
			691	★692407	Seal-Governor Shaft			
			697	690372	Screw (Drive Cap)			
			718	690959	Pin-Locating			

★ Included in Engine Gasket Set-Ref. No.358.

● Included in Carburetor Overhaul Kit-Ref. No. 121.

◆ Included in Carburetor Gasket Set-Ref. No. 977.

Δ Included in Valve Gasket Set-Ref. No 1095.

Illustrations cover a range of engines. Parts shown without corresponding text may not be used on your specific engine.

REF. NO.	PART NO.	DESCRIPTION	REF. NO.	PART NO.	DESCRIPTION	REF. NO.	PART NO.	DESCRIPTION
823	690363	Screw Muffler Adapter Used on Type No(s). 0115.	878	691237	Harness—Alternator Used on Type No(s). 0172, 0193, 0196.	1029	691751	Arm—Rocker
830	691095	Stud (Rocker Arm)	883	692236	Gasket—Exhaust Used on Type No(s). 0115.	1034	690822	Guide—Push Rod
842	★691031	Seal—O Ring (Dipstick Tube) (55/64" Inside Diameter)	914	690960	Screw (Rocker Cover)	1035	693784	Shaft—Pump
847	697087	Dipstick/Tube Assembly Used on Type No(s). 0113, 0115, 0172, 0196.	918	697091	Hose—Vacuum Used on Type No(s). 0113, 0115, 0196.	1036	695700	Label—Emission
		Note ———	943	★690589	Seal—O Ring (Oil Pump Cover)	1044	691658	Screw (Flywheel) Used on Type No(s). 0115, 0172, 0192.
		697611 Dipstick/Tube Assembly Used on Type No(s). 0114, 0191, 0192, 0193..	947	694393	Solenoid—Fuel	1070	691058	Screw (Flywheel—Fan)
851	692424	Terminal—Spark Plug	965	499613	Cover—Oil Pump	1090	691293	Retainer—Brush
864	697346	Adapter—Muffler Used on Type No(s). 0115.	967	697015	Filter—Pre Cleaner	1091	691333	Cap—Limiter
868	Δ★690968	Seal—Valve	968	697446	Cover—Air Cleaner (Red)	1095	690190	Gasket Set—Valve
877	393456	Wire/Connector— Alternator (Dual Circuit) Used on Type No(s). 01172, 0193.			Note ———	1119	691183	Screw (Alternator)
					697084 Cover—Air Cleaner (Black) Used on Type No(s). 0115.	1127	695407	Screw (Float Bowl)
877B	393537	Wire/Connector— Alternator (Tri Circuit) Used on Type No(s). 0113.	975	495933	Bowl—Float	1263	697124	Reed—Breather
877C	399916	Wire/Connector— Alternator (10 To 16 Amp Regulator) Used on Type No(s). 0192.	977	690192	Gasket Set—Carburetor	1264	697104	Screw (Breather Reed)
			987	●691326	Seal—Throttle Shaft	1265	697125	Support—Blower Housing
			1005	697111	Fan—Flywheel	1266	★●691917	Seal—O Ring (Intake Elbow)
			1017	690770	Screen—Oil Pump (Push In)	1266A	●697123	Seal—O Ring (Intake Elbow)
			1019	697143	Kit—Label	1267	697662	Latch—Blower Housing (Red)
			1022	Δ★272475	Gasket—Rocker Cover			Note ———
			1023	692492	Cover—Rocker Arm			697135 Latch—Blower Housing (Black) Used on Type No(s). 0115.
			1024	499054	Pump—Oil	1270	697156	Plug AVS— Counterweight
			1026	692003	Rod—Push (Intake)	1279	690960	Screw (Blower Housing Support)
					Note ———			
					692011 Rod—Push (Exhaust)			
			1027	492932	Filter—Oil			

★ Included in Engine Gasket Set—Ref. No.358.

● Included in Carburetor Overhaul Kit—Ref. No. 121.

◆ Included in Carburetor Gasket Set—Ref. No. 977.

Δ Included in Valve Gasket Set—Ref. No 1095.

Illustrations cover a range of engines. Parts shown without corresponding text may not be used on your specific engine.