

40, 45, 49, 45 EPA, 49 EPA

Spare parts

Ersatzteile

Pièces détachées

Reserve onderdelen

Repuestos

Reservdelar

Replaces

Ersetzt

Remplace

Vervangt

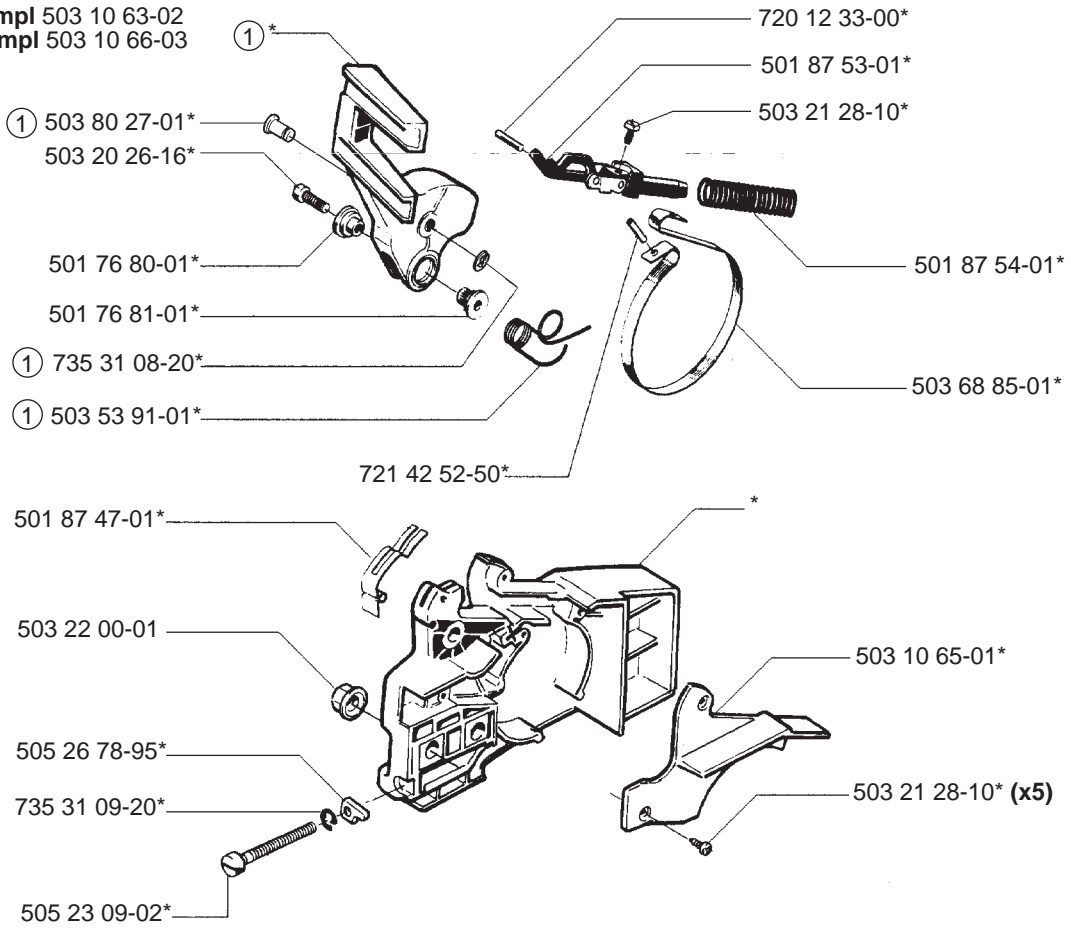
Reemplaza

Ersätter

106 24 25-62

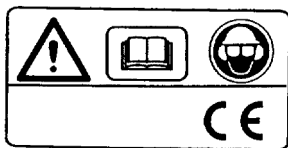
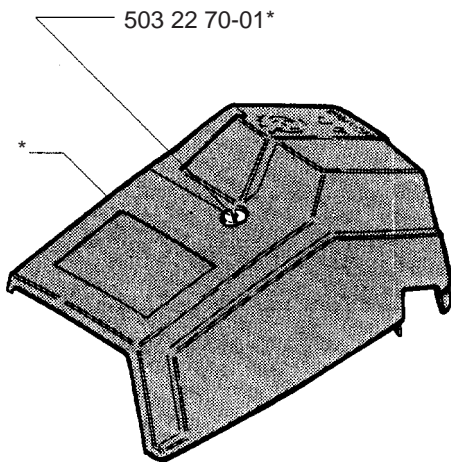
A

*compl 503 10 63-02
 ① compl 503 10 66-03



B

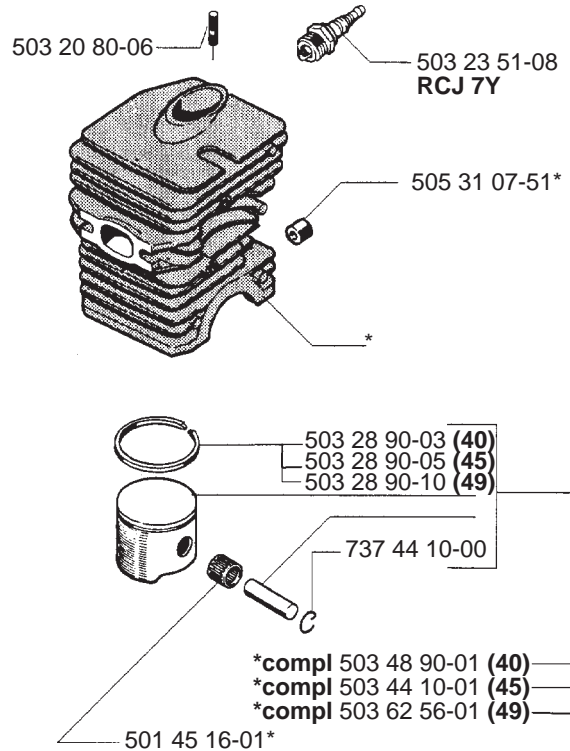
*compl 503 50 20-06 (USA)



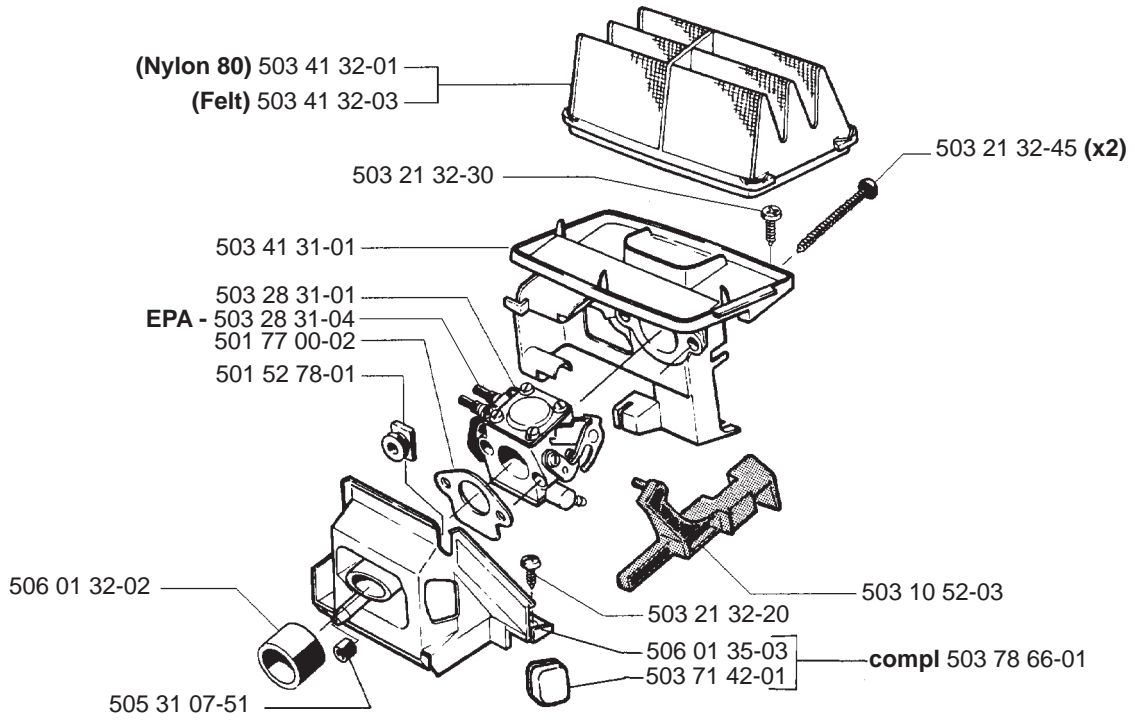
503 98 74-01*

C

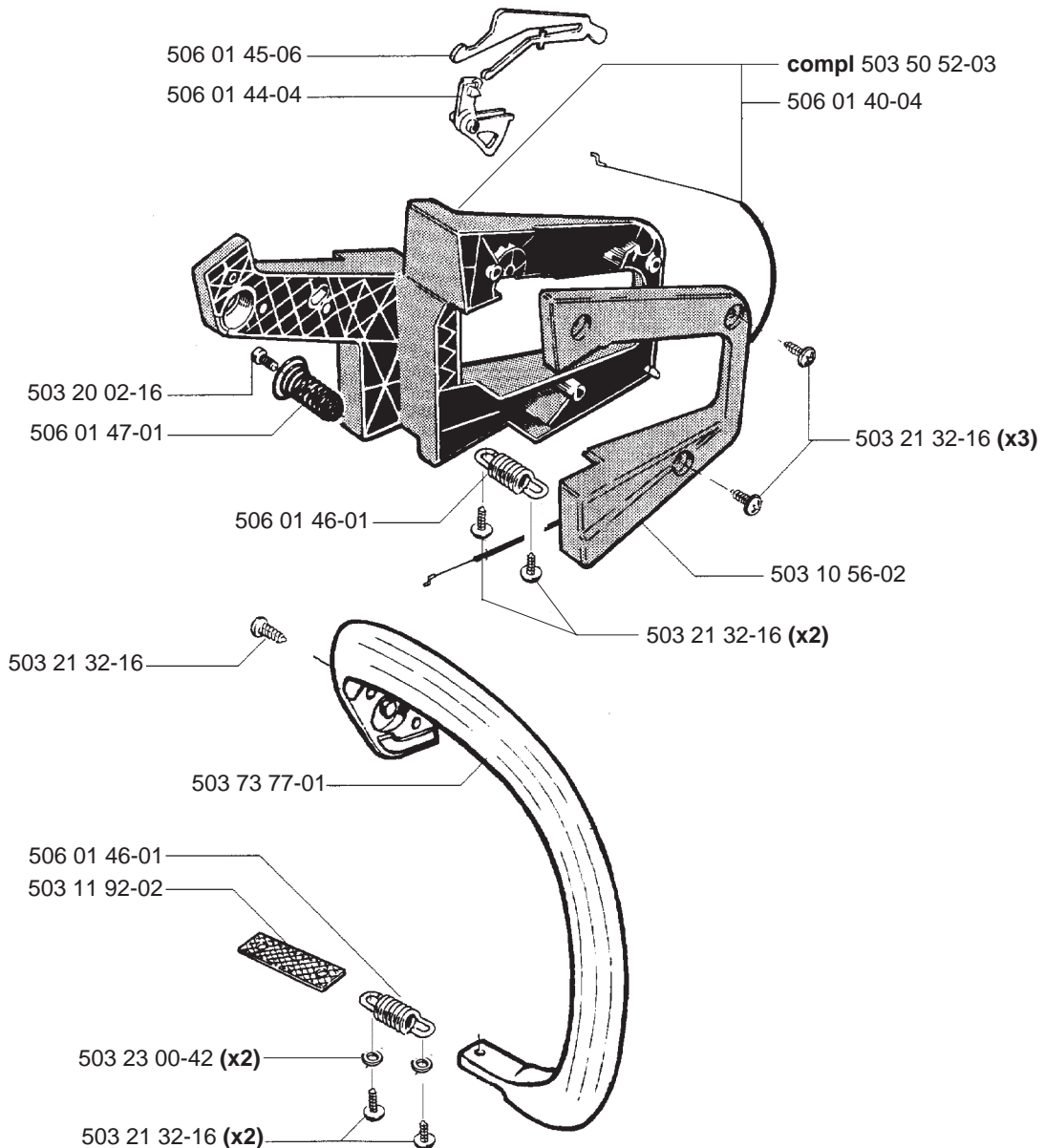
*compl 506 01 06-07 (40)
 *compl 503 44 08-02 (45)
 *compl 503 62 55-02 (49)



D

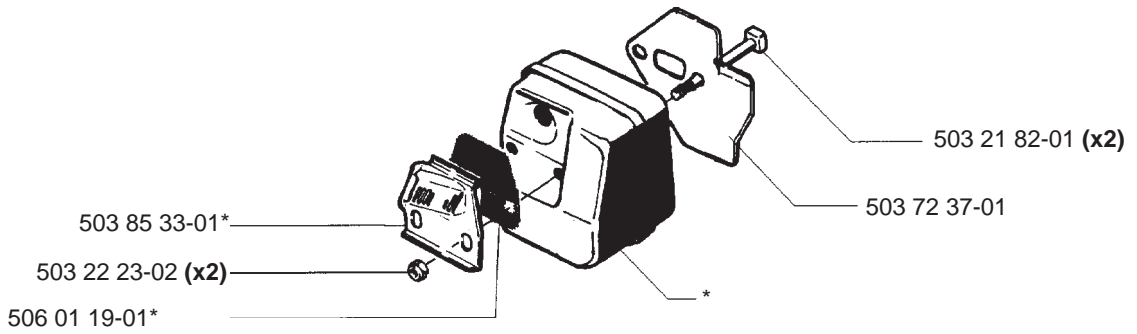


E



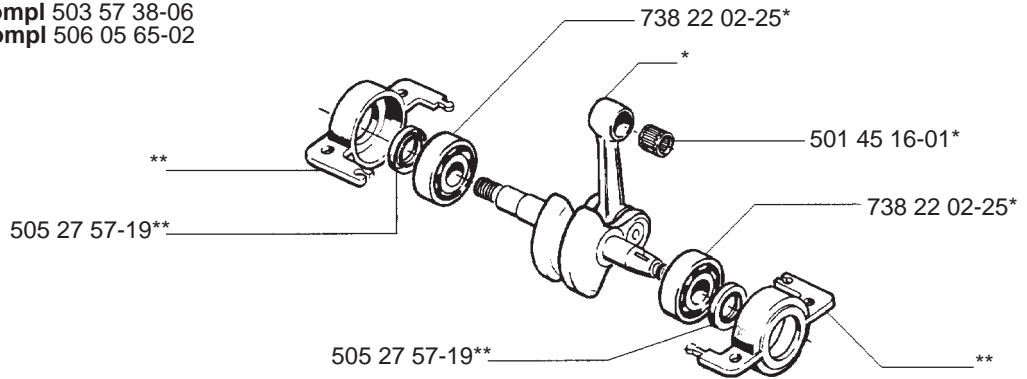
F

*compl 503 59 51-03

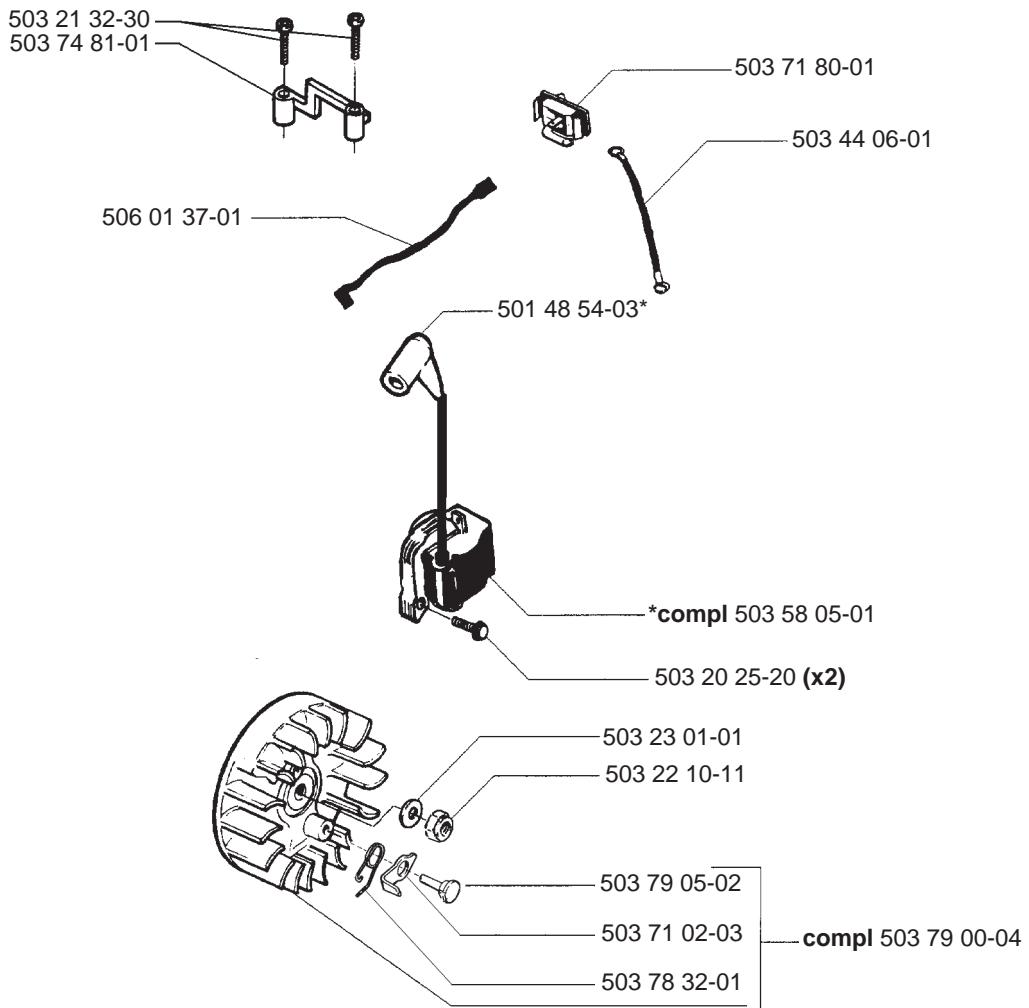


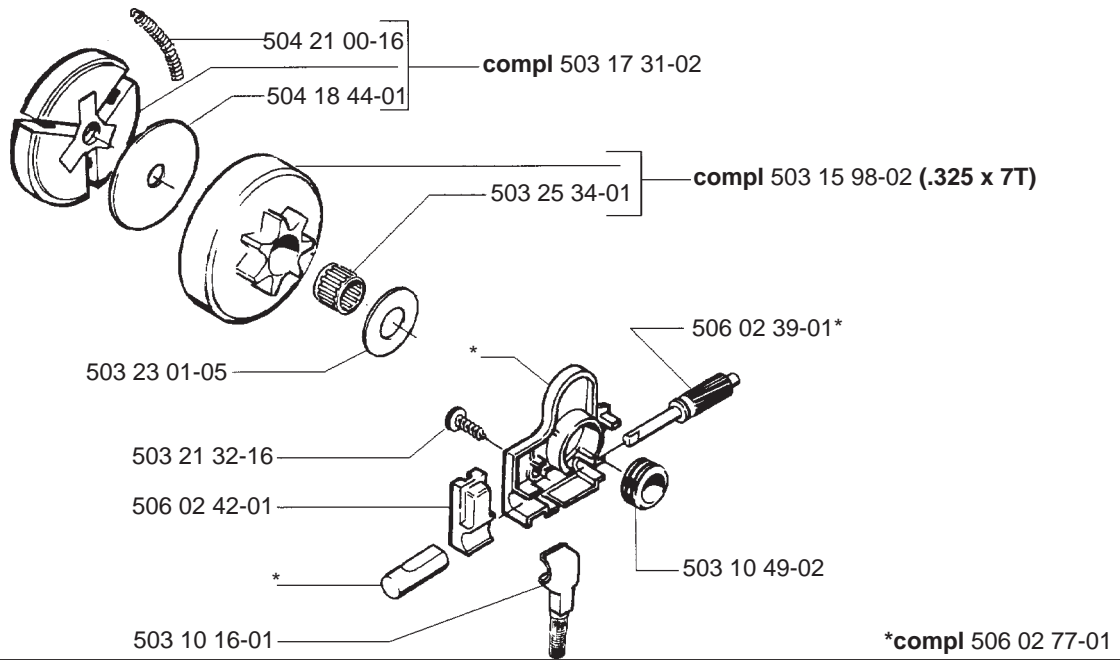
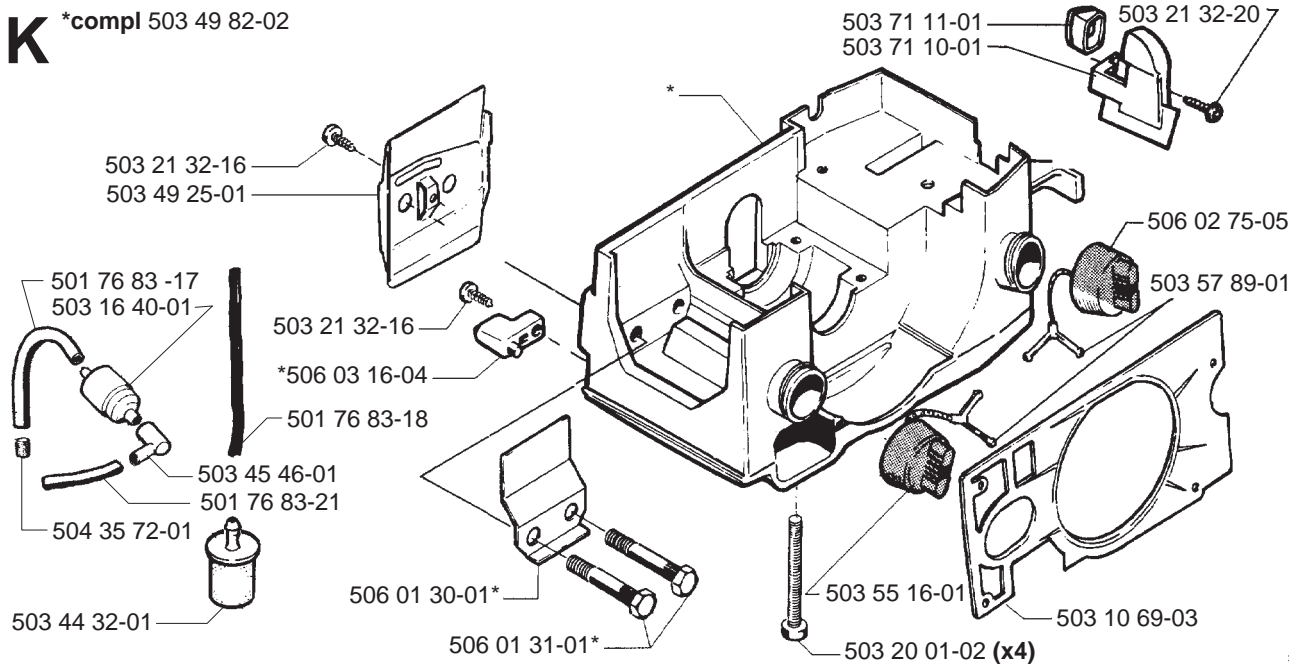
G

*compl 503 57 38-06
**compl 506 05 65-02

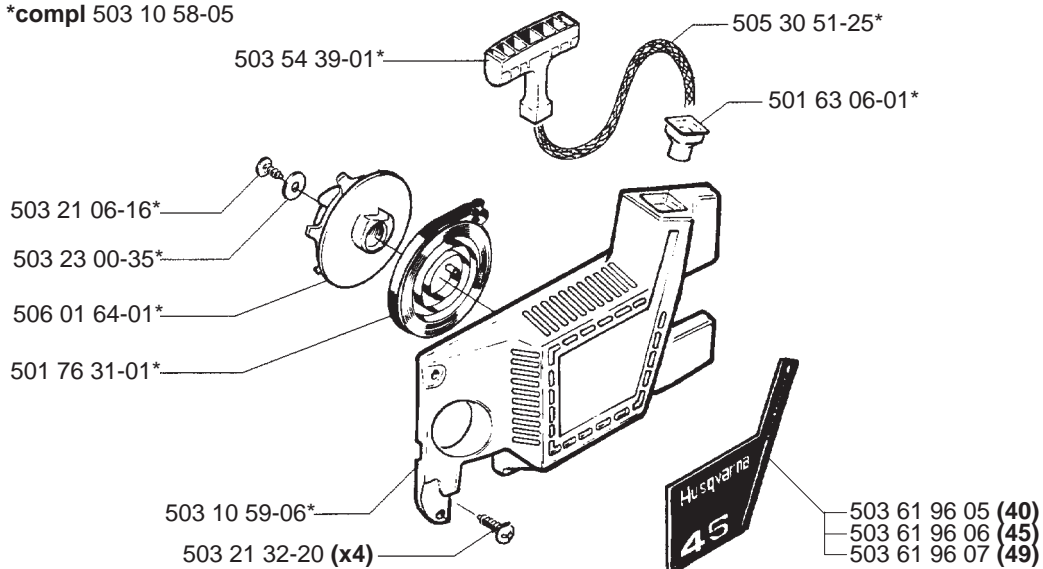


H



J**K****L**

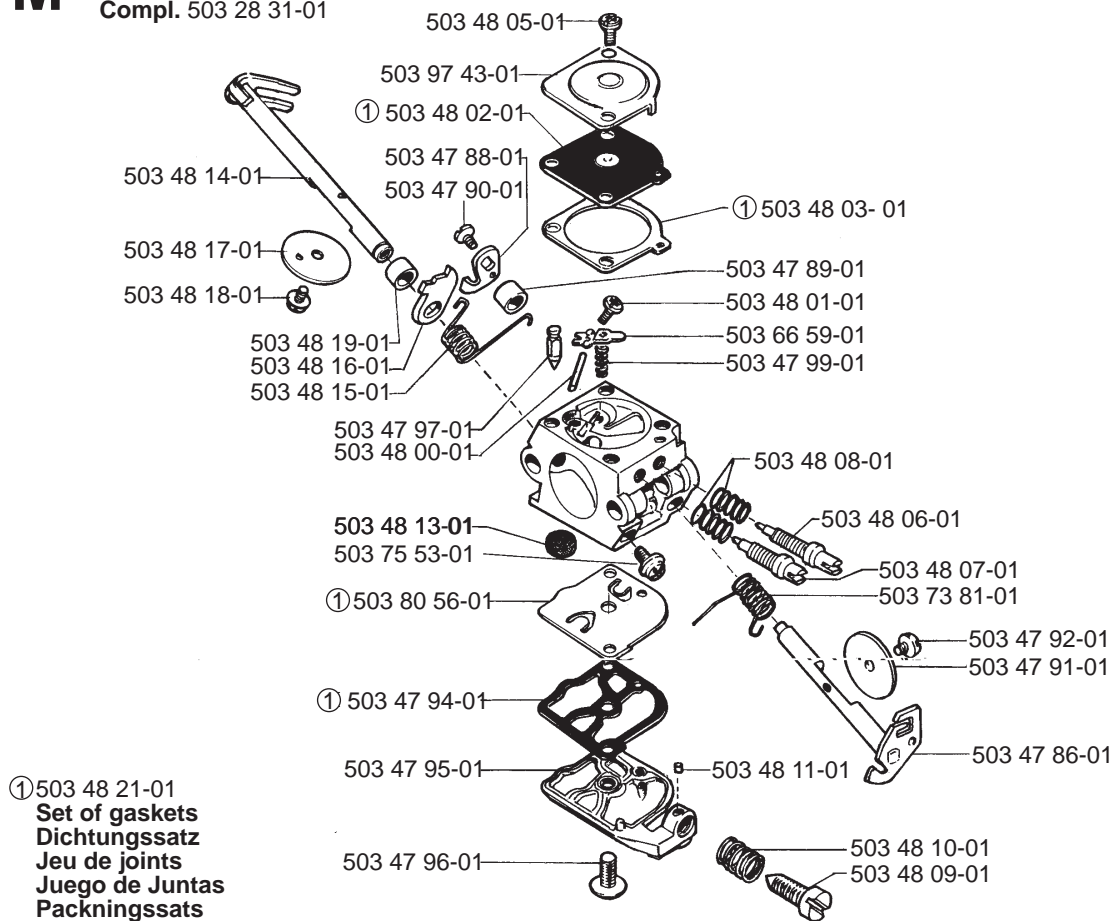
*compl 503 10 58-05



M

Compl. 503 28 31-01

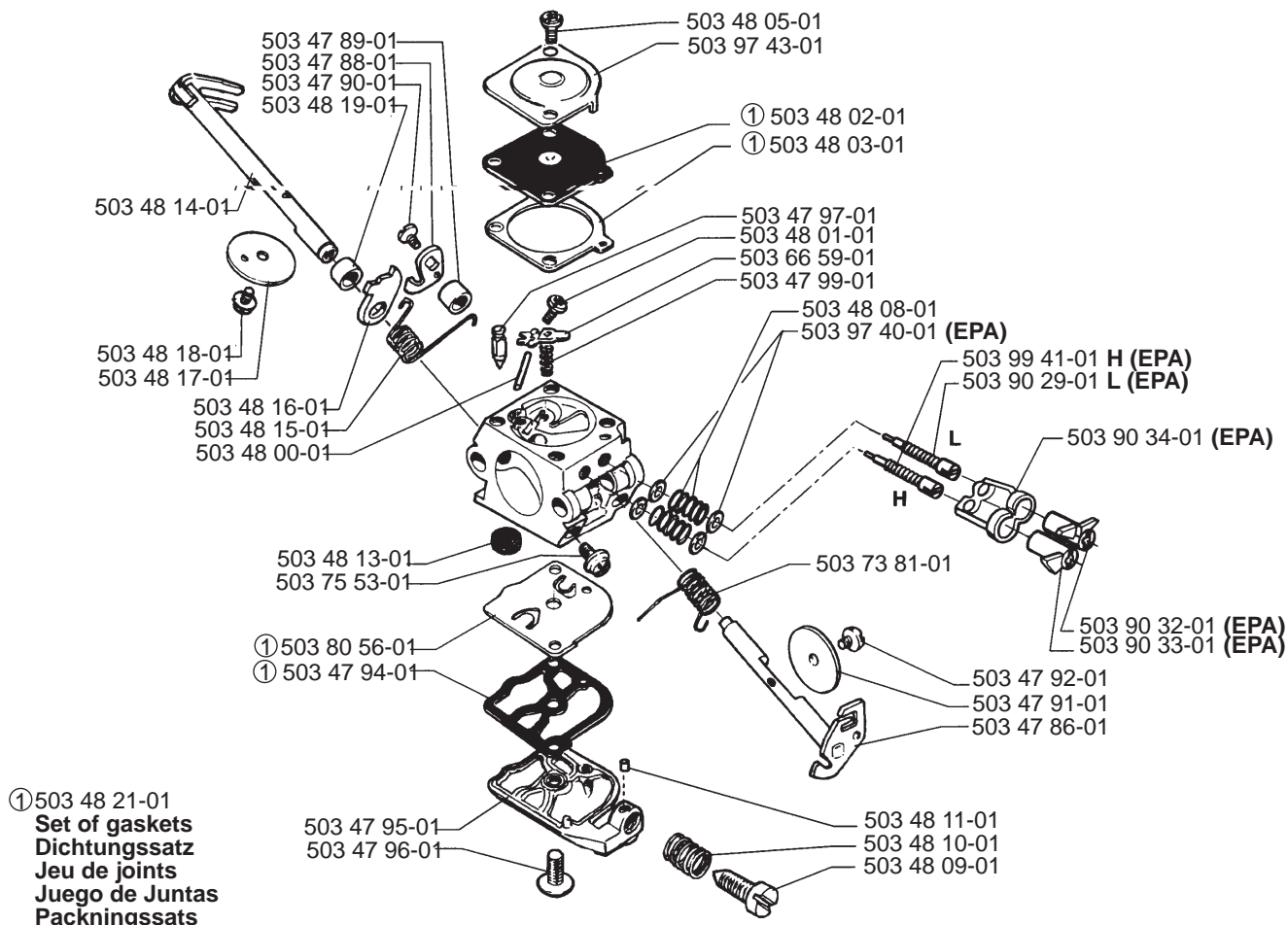
ZAMA C1Q - EL 1



N

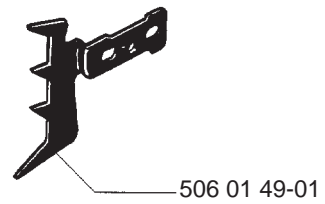
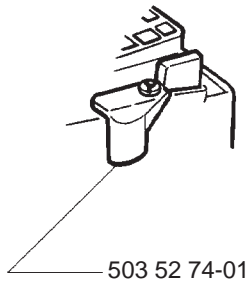
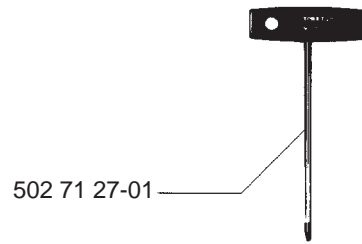
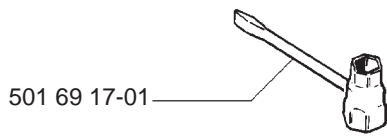
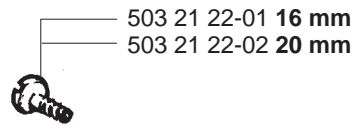
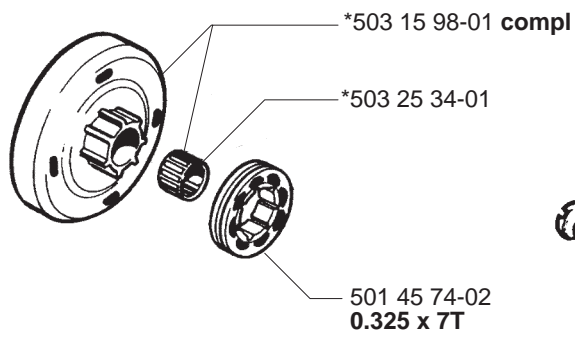
Compl. 503 28 31-04

ZAMA C1Q - EL 5 (EPA)



P

Accessories
Zubehöre
Accessoires
Acessorios
Tillbehör



MODEL 40, 45, 49, 45 EPA, 49 EPA

PART NUMBER	SQUARE NOTE	PART NUMBER	SQUARE NOTE	PART NUMBER	SQUARE NOTE	PART NUMBER	SQUARE NOTE
501 45 16-01	C,G	503 47 88-01	M,N	503 97 40-01	N EPA		
501 45 74-02	P	503 47 89-01	M,N	503 97 43-01	M,N		
501 48 54-03	H	503 47 90-01	M,N	503 98 74-01	B		
501 52 78-01	D	503 47 91-01	M,N	503 99 41-01	N N,EPA		
501 63 06-01	L	503 47 92-01	M,N	504 18 44-01	J		
501 69 17-01	P	503 47 94-01	M,N 1	504 21 00-16	J		
501 76 31-01	L	503 47 95-01	M,N	504 35 72-01	K		
501 76 80-01	A	503 47 96-01	M,N	505 23 09-02	A		
501 76 81-01	A	503 47 97-01	M,N	505 26 78-95	A		
501 76 83-17	K	503 47 99-01	M,N	505 27 57-19	G		
501 76 83-18	K	503 48 00-01	M,N	505 30 51-25	L		
501 76 83-21	K	503 48 01-01	M,N	505 31 07-51	C,D		
501 77 00-02	D	503 48 02-01	M,N 1	506 01 06-07	C		
501 87 47-01	A	503 48 03-01	M,N 1	506 01 19-01	F		
501 87 53-01	A N	503 48 05-01	M,N	506 01 30-01	K		
501 87 54-01	A	503 48 06-01	M	506 01 31-01	K		
502 71 27-01	P	503 48 07-01	M	506 01 32-02	D		
503 10 16-01	J	503 48 08-01	M,N	506 01 35-03	D		
503 10 49-02	J	503 48 09-01	M,N	506 01 37-01	H		
503 10 52-03	D	503 48 10-01	M,N	506 01 40-04	E		
503 10 56-02	E	503 48 11-01	M,N	506 01 44-04	E		
503 10 58-05	L	503 48 13 01	M,N	506 01 45-06	E		
503 10 59-06	L	503 48 14-01	M,N	506 01 46-01	E		
503 10 63-02	A	503 48 15-01	M,N	506 01 47-01	E		
503 10 65-01	A	503 48 16-01	M,N	506 01 49-01	P		
503 10 66-03	A	503 48 17-01	M,N	506 01 64-01	L		
503 10 69-03	K	503 48 18-01	M,N	506 02 39-01	J		
503 11 92-02	E	503 48 19-01	M,N	506 02 39-02	P		
503 15 98-01	P	503 48 21-01	M,N 1=compl	506 02 42-01	J		
503 15 98-02	J	503 48 90-01	C	506 02 75-05	K		
503 16 40-01	K	503 49 25-01	K	506 02 77-01	J		
503 17 31-02	J	503 49 82-02	K	506 03 16-04	K		
503 20 01-02	K	503 50 20-06	B N	506 05 65-02	G		
503 20 02-16	E	503 50 52-03	E	720 12 33-00	A		
503 20 25-20	H	503 52 74-01	P	721 42 52-50	A		
503 20 26-16	A	503 53 91-01	A	735 31 08-20	A		
503 20 80-06	C	503 54 39-01	L	735 31 09-20	A		
503 21 06-16	L	503 55 16-01	K	737 44 10-00	C		
503 21 22-01	P	503 57 38-06	G	738 22 02-25	G		
503 21 22-02	P	503 57 89-01	K				
503 21 28-10	A	503 58 05-01	H				
503 21 32-16	E,J,K	503 59 51-03	F				
503 21 32-20	D,K,L	503 61 96 05	L				
503 21 32-30	D,H	503 61 96 06	L				
503 21 32-45	D	503 61 96 07	L				
503 21 82-01	F	503 62 55-02	C				
503 22 00-01	A	503 62 56-01	C				
503 22 10-11	H	503 66 59-01	M,N				
503 22 23-02	F	503 68 85-01	A				
503 22 70-01	B	503 71 02-03	H N				
503 23 00-35	L	503 71 10-01	K				
503 23 00-42	E	503 71 11-01	K				
503 23 01-01	H	503 71 42-01	D				
503 23 01-05	J	503 71 80-01	H				
503 23 51-08	C	503 72 37-01	F				
503 25 34-01	J,P	503 73 77-01	E				
503 28 31-01	D,M	503 73 81-01	M,N				
503 28 31-04	D,N EPA	503 74 81-01	H				
503 28 90-03	C	503 75 53-01	M,N				
503 28 90-05	C	503 78 32-01	H				
503 28 90-10	C	503 78 66-01	D				
503 41 31-01	D	503 79 00-04	H				
503 41 32-01	D	503 79 05-02	H				
503 41 32-03	D	503 80 27-01	A N				
503 44 06-01	H	503 80 56-01	M,N 1				
503 44 08-02	C	503 85 33-01	F				
503 44 10-01	C	503 90 29-01	N EPA				
503 44 32-01	K	503 90 32-01	N EPA				
503 45 46-01	K	503 90 33-01	N EPA				
503 47 86-01	M,N	503 90 34-01	N EPA				

1 = 503 48 21-01

Set of gaskets, Dichtungssatz,
Jeu de joints, Juego de juntas,
Packingssatz

N = New part, Neues teil,
Nouvelle piece, Nueva pieza
Ny detalj

EPA = Environmental Protection Agency
(for USA only)